



Red₅ VAV

Redefining What a VAV Can Do

Empowering OEMs
with the Ultimate
VAV Solution

The Red5 VAV isn't just a controller—it's a platform for innovation. Designed to reduce costs, streamline installation, and unlock new possibilities, it enables OEMs to deliver unique, value-added solutions to their customers without added complexity or expense.

Unmatched OEM Differentiators

✓ Customizable Algorithms: Make It Your Own

Fully programmable in GCL+ for control applications. With IoT & FDD, the Red5 VAV lets OEMs embed proprietary algorithms and create unique IP within the controller. This empowers you to market a differentiated solution that adds value for your customers.

✓ Streamlined App Based Provisioning

OEMs can preconfigure the device via Proviso App using NFC. Allowing for seamless setup and immediate integration into their customers' systems.

✓ Compact, Install-Friendly Form Factor

The compact form factor saves cabinet space and simplifies wiring by providing easy access to all connections during installation. Its removable connectors and intuitive layout make wiring significantly easier. Thus cutting upfront labor costs for OEMs..

✓ Built-In Algorithms for Energy Savings

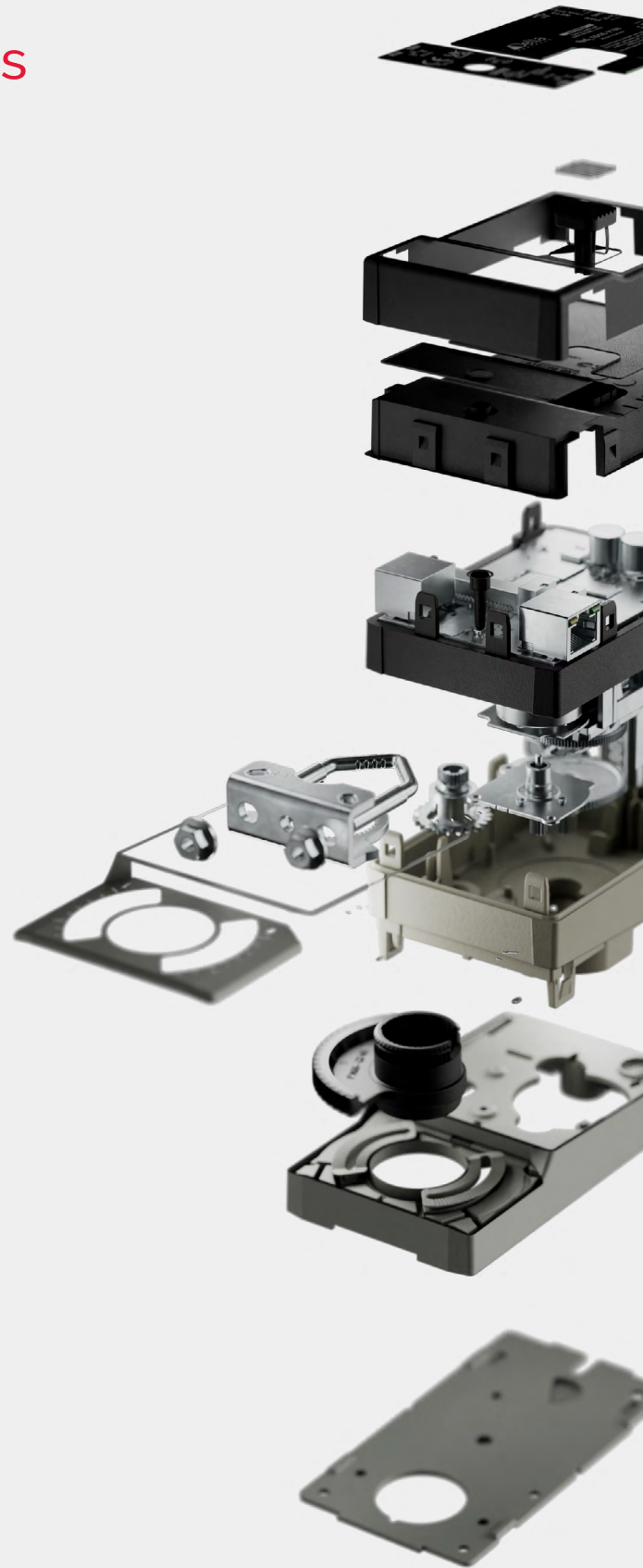
Over 40+ configurations of the Industry-leading Guideline 36 based energy efficiency algorithms come preloaded, enabling OEMs to offer high-performance solutions out of the box.

✓ T1L Networking: Retrofit Revolutionized

Coming in 2025! Leverage existing RS485 wiring while delivering the speed and flexibility of IP. T1L reduces wiring requirements from 8 to 2 conductors, making retrofits and installations faster and more cost-effective.

✓ Integrated Bidirectional Flow Sensor

A game-changer in precision airflow control. The controller will detect which way the tubes are installed and automatically provide the correct pressure valve, ensuring consistent performance without manual recalibration or reinstall of the tubes.



What Sets Red5 VAV Apart for OEMs?

1 Enable Value-Added Features Without Added Cost

Pre-loaded capabilities like IoT integration, fault detection, and self-adjusting sensors empower OEMs to deliver premium functionality without additional hardware expenses.

2 Create Your Own Brand Identity

With programmable capabilities, you can offer customers proprietary solutions that set your brand apart from the competition.

3 Future-Proofed Technology

High-powered processing and modular design ensure scalability, enabling OEMs to meet future customer demands without hardware upgrades.

4 IoT-Ready for Advanced Connectivity

Supports MQTT and advanced IoT applications, allowing integration with analytics platforms, fault detection systems, and building automation technologies.

Why Choose Red5 VAV for Your Portfolio?

The Red5 VAV empowers OEMs to redefine their offerings with smarter, more flexible, and future-ready solutions. With seamless retrofits, reduced labor costs, and effortless third-party integration, it transforms buildings without complexity. Elevate your brand, deliver innovation, and stay ahead of the competition with technology that evolves with your customers' needs.



Delta Controls is creating innovative and advanced solutions for building automation. The company's commitment to quality and customer satisfaction led it to create hardware and software products across the full value chain, empowering unmatched building management. As a result, customers are given access to data-driven insights, empowering more efficient and smart building management decisions, optimizing energy consumption to align with sustainability goals and enhancing overall

return on investment. Delta Controls' commitment to satisfaction led it to preemptively act on potential supply chain disruptions, optimizing its product design to minimize hard-to-acquire components. The company also heavily invested in new machinery, leading it to double its inventory in the last year. As a result, Delta Controls ensures delivery within four weeks, safeguarding satisfaction and allowing customers to begin leveraging building automation solutions as soon as needed.