

Hornet[®] HP Select

Round Lensed Wall Wash



Features

The Hornet HP Select round wall wash series provides high impact smooth wash of light for retail and commercial walls without compromising on budget or design. It delivers over 1180 lumens but exceeds performance on the wall of products. The Hornet HP Select offers trimmed, trimless, or millwork trim options and is perfect for both retrofit and new construction projects.



Product Overview

Type: Recessed Round Lensed Wall Wash
 Wattage: 21
 Color Temp: 3000K, 3500K
 CRI: 90+ typ.
 Dimming: 0-10V

PROJECT:

TYPE:



EQUIP

Select Hornet Select Round Downlight fixtures are now part of the Delta Controls Equip program. As a Third-Party Product line, Hornet Select Round Downlight, Adjustable and Wall Washer deliver a broad range of high-performance lighting solutions designed to last and meet desired light levels—supporting your projects with industry-leading performance—and ships in as little as 2 weeks.

Experience the power of Hornet Select Round Downlight Family: exceptional lighting that combines durability and precise light-level performance on target.

Performance Chart

Watts	Delivered Lumens	LPW	CBCP	Color Temp
21	1183	57.3	7265	3000K-90

All wattage and LPW includes 2W thermal protector

Electrical Data

	21W	
	System Watts	Amps
120V	21	0.18
277V	21	0.08

*Electronic constant current LED driver
 Includes thermal protector, 2W power consumption*



Hornet® HP Select

Round Adjustable Downlight



PROJECT:

TYPE:

Housing/Frame Ordering Information

1	2	3	4	5
1 Model	2 Style	3 Wattage	4 Voltage	5 Driver
For New Construction HSE-R-NC (New Construction)	T trimmed	21	120 277	0-10V 0-10V dimming, 1% dim

Trim Ordering Information

HSE-RLW			
1	2	3	4
1 Model	2 Style	3 Finish	4 Color Temp-CRI
HSE-RLW lensed wall wash	T trimmed	Trimmed MWW matte white, white flange	90+ CRI 309 3000K-90+ 359 3500K-90+

Hornet® HP Select

Round Adjustable Downlight



PROJECT:

TYPE:

Specifications

Application

Retail and commercial accent lighting

Finish

Powder coat paint/wet paint

Construction

20 ga. galvanized steel frame
18 ga. galvanized steel splice housing and hanger brackets
Die-cast optical housing and trim
Die-cast heat sink

Mounting

26" Hanger bars included

Trimmed Fixture:

For use in grid or sheetrock ceilings, 5/8" - 2" max standard

LED

Color Temp Options: 3000K, 3500K
CRI: 90+ typ.
R9 Values: 55 (92 CRI)
Binning: 3 MacAdam (SDCM)
Life: 50,000+ hrs, > 70% of initial lumens at 50,000 hrs

Certifications

CSA damp as tested to UL 1598 standards
Damp location

Warranty

5 year limited warranty

Electrical

Wattage: 21
Electronic constant current LED driver, 120/277VAC input
This product complies with IEEE C62.41 for surge endurance up to 2.5KV. Amerlux® recommends using additional surge protection with this unit (supplied by others), surge and over voltage damage is not covered under warranty.
Note: Drivers are universal but thermal protector is voltage specific

Hornet[®] HP Select

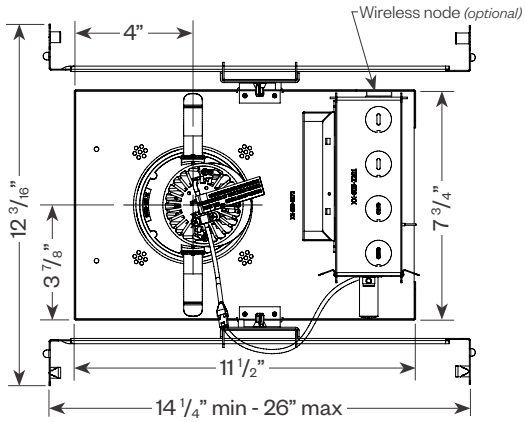
Round Adjustable Downlight



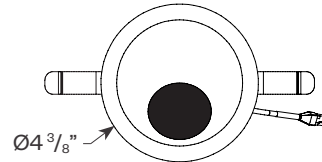
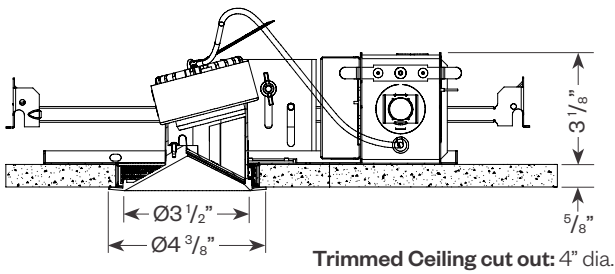
PROJECT:

TYPE:

Product Details



Trimmed



Hornet[®] HP Select

Round Adjustable Downlight



PROJECT:

TYPE:

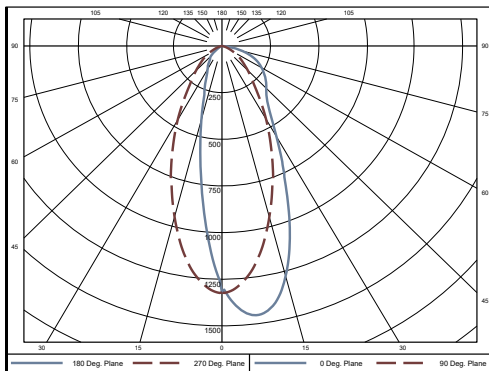
Fixture Data (complete photometric data (.ies format available upon request))

MULTIPLYING FACTORS:

CCT:	3000K-90+	3500K-90+
Factor:	1.00	1.016

21W LED, 3000K-90+

HSE-HP-RLW
LTL # 15519638.02
Lumens: 1183 lm



ZONAL LUMEN SUMMARY

Zone	Lumens	%Fixt
0-40	799	67.5
0-60	1060	89.6
0-90	1183	100.0
90-180	0	0.0

Luminaire Efficacy: 57.3 lm/W

Application Data

Footcandles on Wall

Footcandles are average and rounded off.
 Data for multiple units are based on a minimum of five units.

1.5 Feet from Wall

Distance from ceiling	1.5' spacing				
	0.5'	1.5'	2.5'	3.5'	4.5'
0.5'	62	64	64	64	61
1.5'	87	92	93	92	87
2.5'	67	72	73	71	67
3.5'	52	56	57	56	53
4.5'	39	42	44	43	39
5.5'	29	32	33	32	29
6.5'	22	24	25	24	22
7.5'	17	19	19	19	17

1.5 Feet from Wall

Distance from ceiling	2' spacing						
	0.5'	1.5'	2.5'	3.5'	4.5'	5.5'	6.5'
0.5'	46	51	46	51	45	51	45
1.5'	66	72	69	73	69	71	66
2.5'	52	56	56	57	56	56	52
3.5'	41	44	45	46	45	44	41
4.5'	31	34	35	35	35	34	32
5.5'	23	26	26	27	26	26	24
6.5'	18	20	21	21	21	20	18
7.5'	14	16	16	17	16	16	15

2 Feet from Wall

Distance from ceiling	2' spacing						
	0.5'	1.5'	2.5'	3.5'	4.5'	5.5'	6.5'
0.5'	28	31	30	31	30	31	29
1.5'	51	55	55	56	55	55	51
2.5'	44	47	48	49	48	47	44
3.5'	36	39	40	41	40	39	36
4.5'	30	33	34	34	34	33	30
5.5'	25	27	28	28	28	27	25
6.5'	20	22	23	23	23	22	20
7.5'	17	18	19	19	19	18	17

Hornet® HP Select

Round Adjustable Downlight



PROJECT:

TYPE:

Dimming Compatibility

Amerlux® Hornet fixtures are compatible with all major dimming protocols prevalent in the United States. Please see below for general compatibilities and wiring diagrams. Amerlux recommends testing your unique dimming configuration as the exact full configuration (Dimmer, Fixture Quantity, Voltage, etc) may affect dimming performance.

--- NOTE: INFORMATION BELOW IS FOR WIRED DIMMERS ONLY. FOR WIRELESS DIMMERS, CONSULT FACTORY ---

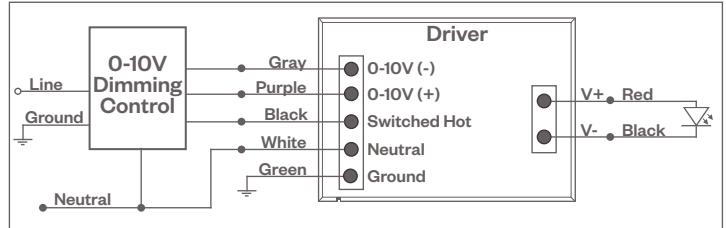
0-10V DIMMING

Integrates into a variety of building management and daylighting controls

Notes:

- 120VAC or 277VAC*
- Dims down to 1% light output
- Requires interface to turn off power to driver
- Consult Dimming manufacturer for installation instructions - DO NOT SHARE NEUTRALS!

0-10V Wiring Diagram



Compatible Dimmers*:

Wall Box

Lutron "Diva" - DVSTV | Leviton Renoir II 0-10V

Central System

Lutron Grafik Eye with GRX-TVI Interface

Notes:

* Driver is 277VAC dimmable with appropriate dimmer (by others). All provided wiring diagrams show 120VAC wiring colors and method.

Please refer to 277VAC dimmer manufacturer installation instructions for 277VAC wiring diagrams.

† The absence of a dimmer from the lists above does not imply incompatibility. Please consult factory for compatibility inquiries.