

Hornet[®] HP Select

Round Adjustable Downlight



Features

The Hornet HP Select round adjustable series provides powerful yet comfortable accent lighting for retail and commercial spaces without compromising on budget or design. It delivers over 2000 lumens in a variety of beam distributions and features quiet optics for visually pleasing aesthetics

Product Overview

Type: Recessed Round Adjustable Downlight
 Wattage: 21
 Color Temp: 3000K, 3500K
 CRI: 90+ typ.
 Dimming: 0-10V

PROJECT:



EQUIP

Select Hornet Select Round Downlight fixtures are now part of the Delta Controls Equip program. As a Third-Party Product line, Hornet Select Round Downlight, Adjustable and Wall Washer deliver a broad range of high-performance lighting solutions designed to last and meet desired light levels—supporting your projects with industry-leading performance—and ships in as little as 2 weeks.

Experience the power of Hornet Select Round Downlight Family: exceptional lighting that combines durability and precise light-level performance on target.

TYPE:

Performance Chart

| Watts | Delivered Lumens | LPW | CBCP | Color Temp |
|-------|------------------|------|------|------------|
| 21 | 2011 | 96.6 | 7265 | 3000K-90 |

*Data is based on Medium Flood optic.
 All wattage and LPW includes 2W thermal protector*

Electrical Data

| | 21W | |
|------|--------------|------|
| | System Watts | Amps |
| 120V | 21 | 0.18 |
| 277V | 21 | 0.08 |

*Electronic constant current LED driver
 Includes thermal protector, 2W power consumption*



Hornet® HP Select

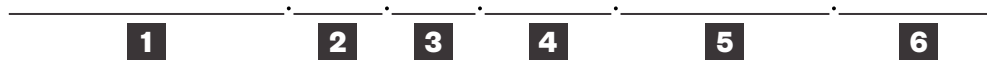
Round Adjustable Downlight



PROJECT:

TYPE:

Housing/Frame Ordering Information



| 1 Model | 2 Style | 3 Wattage |
|--|-----------------------------|--|
| For New Construction HSE-R-NC (New Construction) | T trimmed | 21 |
| 4 Voltage | 5 Driver | 6 Options/Accessories |
| 120 277 | 0-10V 0-10V dimming, 1% dim | EM emergency battery pack with remote test switch (not available for use with CP or IC options) |

Trim Ordering Information



| 1 Model | 2 Style | 3 Finish |
|-----------------------------|---|--|
| HSE-RA adjustable downlight | T trimmed | Trimmed MWW matte white, white flange |
| 4 Beam Spread | 5 Color Temp-CRI | |
| 30D medium flood, 30° | 90+ CRI 309 3000K-90+ 359 3500K-90+ | |

Hornet® HP Select

Round Adjustable Downlight



PROJECT:

TYPE:

Specifications

Application

Retail and commercial accent lighting

Construction

20 ga. galvanized steel frame
18 ga. galvanized steel splice housing and hanger brackets
Die-cast optical housing and trim
Die-cast heat sink

Optical

Beam Spread: Medium Flood, 30°

LED

Color Temp Options: 3000K, 3500K
CRI: 90+ typ.
R9 Values: 55 (92 CRI)
Binning: 3 MacAdam (SDCM)
Life: 50,000+ hrs, > 70% of initial lumens at 50,000 hrs

Electrical

Wattage: 21
Electronic constant current LED driver, 120/277VAC input
This product complies with IEEE C62.41 for surge endurance up to 2.5KV. Amerlux® recommends using additional surge protection with this unit (supplied by others), surge and over voltage damage is not covered under warranty.
Note: Drivers are universal but thermal protector is voltage specific

Finish

Powder coat paint/wet paint

Mounting

26" Hanger bars included

Trimmed Fixture:

For use in grid or sheetrock ceilings, 5/8" - 2" max standard

Certifications

CSA damp as tested to UL 1598 standards
Damp location

Warranty

5 year limited warranty

Emergency Battery Pack (EM)

Powers fixture at 5.1 watts (approx. 400 Lm) for 90 minutes

Hornet[®] HP Select

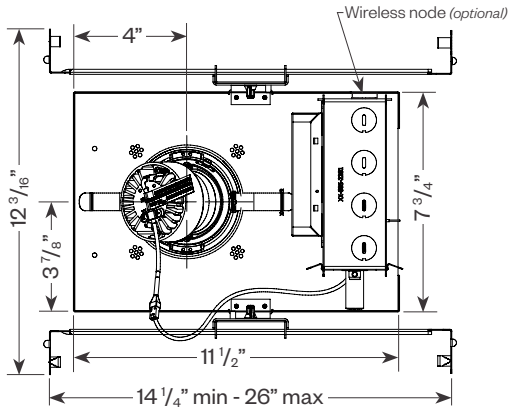
Round Adjustable Downlight



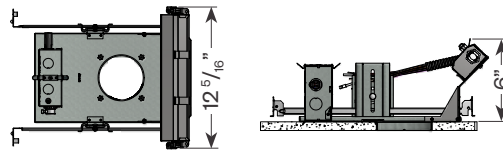
PROJECT:

TYPE:

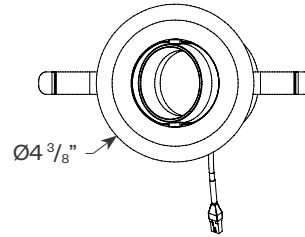
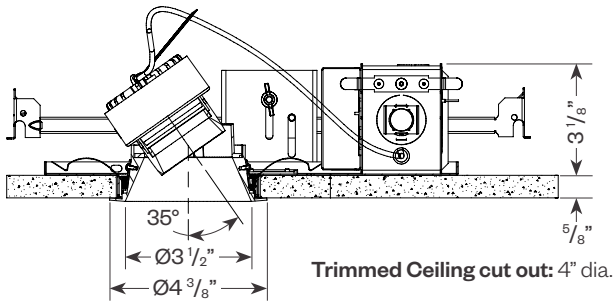
Product Details



Emergency Battery Pack (EM) option



Trimmed



Hornet[®] HP Select

Round Adjustable Downlight



PROJECT:

TYPE:

Fixture Data (complete photometric data (.ies format available upon request))

MULTIPLYING FACTORS:

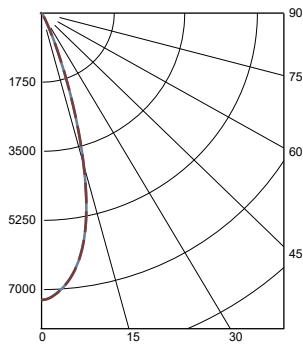
| CCT: | 3000K-90+ | 3500K-90+ |
|---------|-----------|-----------|
| Factor: | 1.00 | 1.016 |

21W LED, 3000K-90+

Medium Flood (30°)

LTL # 15432052.02

Lumens: 2011 lm; 96.6 lm/W



Candelas at Nadir

| Deg | Candela |
|-----|---------|
| 0 | 7265 |
| 5 | 6885 |
| 15 | 3987 |
| 25 | 497 |
| 35 | 65 |
| 45 | 9 |

Application Data

Medium Flood (30°)



0° Aiming Angle
Horizontal
Footcandles

| D | FC | L | W |
|-------|-----|-----|-----|
| 5.0' | 256 | 2.8 | 2.8 |
| 7.5' | 122 | 4.0 | 4.0 |
| 10.0' | 70 | 5.4 | 5.4 |
| 12.5' | 45 | 6.7 | 6.7 |

Notes and Definitions:

Beam spread is to 50% center beam candlepower (CBCP).

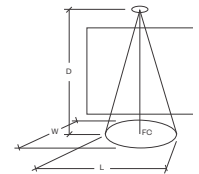
D=Distance to floor or wall.

FC=Footcandles on floor or wall at center beam aiming location.

L=Effective Visual Beam length in feet (50% of maximum footcandle level).

W=Effective Visual Beam width in feet (50% of maximum footcandle level).

CB=Distance across or down to center beam location.



Hornet[®] HP Select

Round Adjustable Downlight



PROJECT:

TYPE:

Dimming Compatibility

Amerlux[®] Hornet fixtures are compatible with all major dimming protocols prevalent in the United States. Please see below for general compatibilities and wiring diagrams. Amerlux recommends testing your unique dimming configuration as the exact full configuration (Dimmer, Fixture Quantity, Voltage, etc) may affect dimming performance.

--- NOTE: INFORMATION BELOW IS FOR WIRED DIMMERS ONLY. FOR WIRELESS DIMMERS, CONSULT FACTORY ---

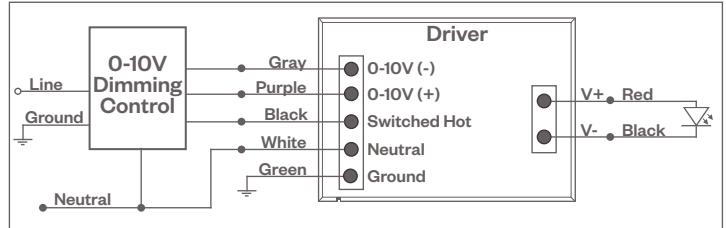
0-10V DIMMING

Integrates into a variety of building management and daylighting controls

Notes:

- 120VAC or 277VAC*
- Dims down to 1% light output
- Requires interface to turn off power to driver
- Consult Dimming manufacturer for installation instructions - DO NOT SHARE NEUTRALS!

0-10V Wiring Diagram



Compatible Dimmers*:

Wall Box

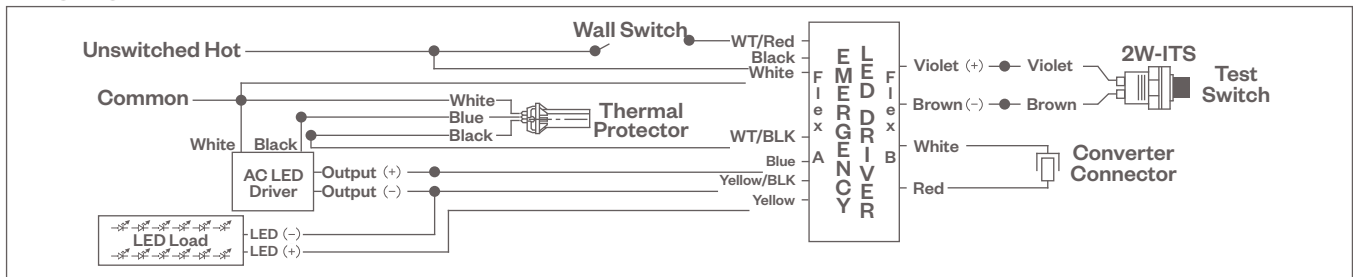
Lutron "Diva" - DVSTV | Leviton Renoir II 0-10V

Central System

Lutron Grafik Eye with GRX-TVI Interface

Emergency Battery Pack

Wiring Diagram



Notes:

- * Driver is 277VAC dimmable with appropriate dimmer (by others). All provided wiring diagrams show 120VAC wiring colors and method. Please refer to 277VAC dimmer manufacturer installation instructions for 277VAC wiring diagrams.
- † The absence of a dimmer from the lists above does not imply incompatibility. Please consult factory for compatibility inquiries.