

DLS Lighting Cabinets DLS-E12/36/72

Description

The Delta Controls DLS-E12/36/72 Lighting Cabinets are designed for use with the DLC-P series controllers and with the Panasonic WR-xxx series relays. Delta Controls offers three cabinet size options; each comprised of an enclosure, interior and cover. Cover options include a lockable hinged door with voltage barrier or a screwed cover, both available in either flush or surface mount styles.



Application

The DLS Lighting Cabinets are factory pre-wired and tested to reduce field installation costs. The flexible cabinet sizes can be used in installations ranging from smaller distributed lighting control solutions to large central installations.

The flexible design of these lighting cabinets allow the field installation to determine how the interior and doors are mounted to the enclosure. Low voltage wires can be accessed from either the top or bottom, and the doors can be installed for left or right opening.

Features

- 12, 36 and 72 relay cabinet sizes
- Configurable barriers to allow from 1 to maximum cabinet relay capacity
- Enclosure separate from interior allows wires to be pulled before the relays and controller are installed
- Doors provide access to the low voltage area while providing a barrier to the high voltage area
- Large wire way allow for the running of high voltage wires from one side to the other on the 36 or 72 relay size cabinets
- Controller mounted on raised rails to conceal low voltage switch wiring
- 12 relay size cabinet can easily be flush mounted between standard 16 inch studs
- Optional high voltage area barriers allow for multiple line voltages in each cabinet

Specifications

Dimensions

DLS-E12-xx
14 x 20.4 x 4 in.
(35.5 x 51.8 x 10.1 cm)
15.75 lb. (6.69 kg) without relays
19.58 lb. (8.9 kg) full capacity

DLS-E36-xx

22 x 28 x 4 in.
(55.9 x 71.1 x 10.1 cm)
44 lb. (20 kg) without relays
58.6 lb. (26.6 kg) full capacity

DLS-E72-xx

22 x 50 x 4 in.
(55.9 x 127 x 10.1 cm)
79 lb. (35.7 kg) without relays
107.7 lb. (48.8 kg) full capacity

Color

ANSI/ASA 61 Grey

Enclosure

16 gauge steel

Power

Transformer
Primary: 120, 277, 347 VAC
Secondary: 24 VAC, 50VA

Wiring

High Voltage: 14 gauge minimum
Low Voltage: 18 gauge

Ambient

32° to 131°F (0° to 55°C)

10 to 90% RH (non-condensing)

Listings

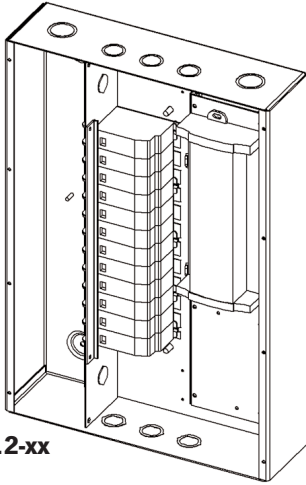
UL Listed

C-UL Listed

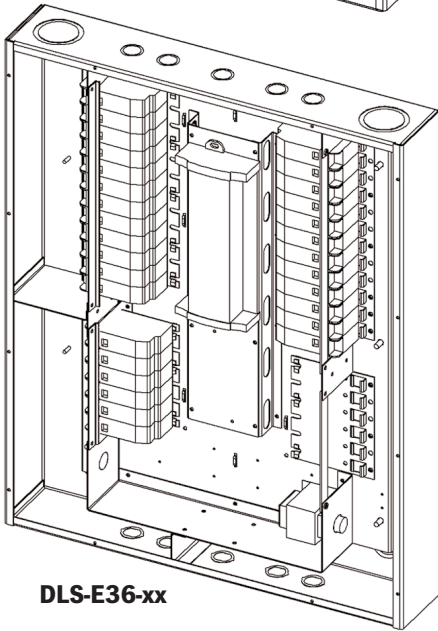
Edition 1.0 September 2008

DLS Lighting Cabinets

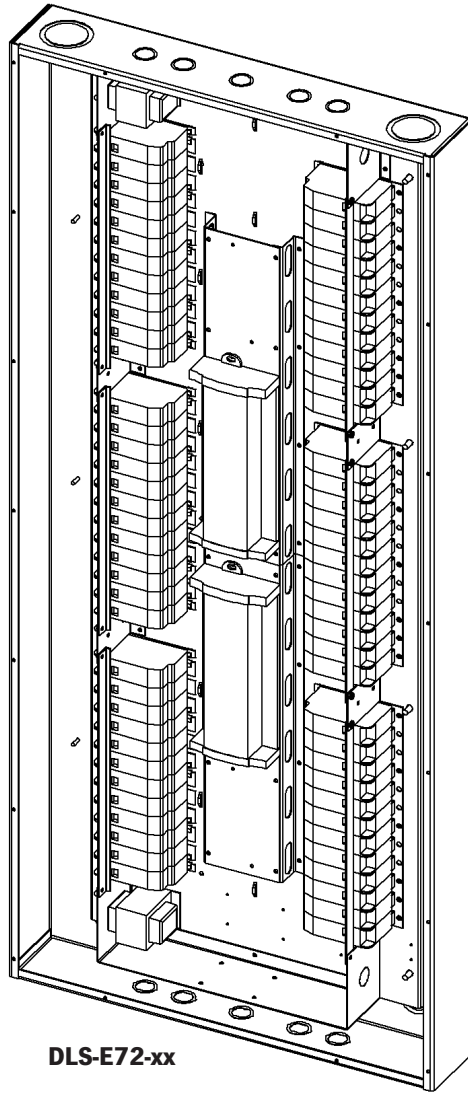
DLS-Exx: Interior Layout Diagrams



DLS-E12-xx



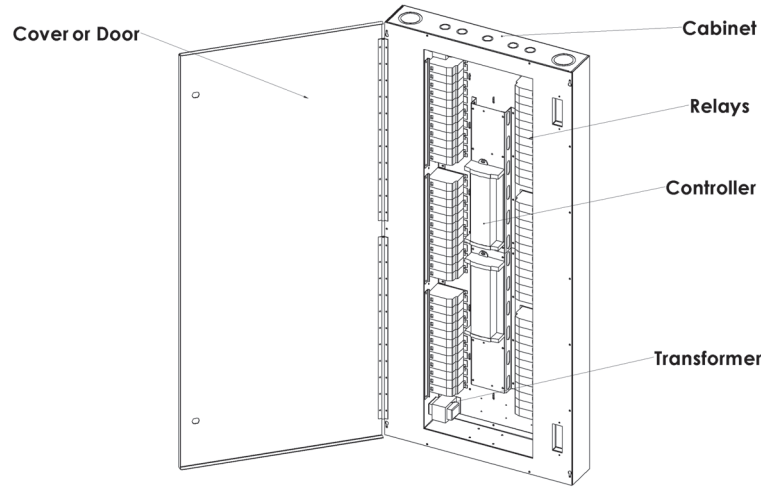
DLS-E36-xx



DLS-E72-xx

Lighting

DLS Lighting Cabinets Ordering Options



Ordering

Order the Lighting Cabinets by first adding **DLS-**, and then appending the the following product numbers based on the options needed. First enter **DLS-**, then select a single part from each list below. For example, **DLS-E36-FD-P1036-R32-120**.

Cabinet	Cover or Door	Controller	Relays	Transformer
-E12 12 Relay Capacity	-FS Flush/Hallway Mount Screw Cover	-P704 4 Relay Controller	-Rxx The xx is the number of relays required	-120 120VAC Primary Voltage*
-E36 36 Relay Capacity	-FD Flush/Hallway Mount Door/Hinged	-P1008 8 Relay Controller		-277 277VAC Primary Voltage*
-E72 72 Relay Capacity	-SS Surface Mount Screw cover	-P1012 12 Relay Controller		-347 347VAC Primary Voltage*
	-SD Surface Mount Door/Hinged	-P1024 24 Relay Controller		-xx No Transformer
	-xx No Door or Cover	-P1036 36 Relay Controller		* Secondary voltage is always 24VAC
		-P2048 12 & 36 Relay Controllers		
		-P2060 24 & 36 Relay Controllers		
		-P2072 (2) 36 Relay Controllers		
		-xx No Controller		

Optional Controllers

Order optional controllers according to the following product numbers:

DRP-T0B—Delta Controls Keypad Interface

DFM-440—4-Channel Dimming Expansion Module

DFM-220—2-Channel Dimming Expansion Module

DLS Lighting Cabinets Ordering Options

Bare Cabinets and Covers

Order cabinets and covers according to the following product numbers:

DLS-E12's

DLS-E12—12 Relay Enclosure

DLS-B12—12 Relay Backplane

DLS-FS12—12 Relay Flush Mount Screwed Cover *

DLS-FD12—12 Relay Flush Mount Door *

DLS-SS12—12 Relay Surface Mount Screwed Cover *

DLS-SD12—12 Relay Surface Mount Door *

DLS-E36's

DLS-E36—36 Relay Enclosure

DLS-B36—36 Relay Backplane

DLS-FS36—36 Relay Flush Mount Screwed Cover *

DLS-FD36—36 Relay Flush Mount Door

DLS-SS36—36 Relay Surface Mount Screwed Cover *

DLS-SD36—36 Relay Surface Mount Door

DLS-E72's

DLS-E72—72 Relay Enclosure

DLS-B72—72 Relay Backplane

DLS-FS72—72 Relay Flush Mount Screwed Cover *

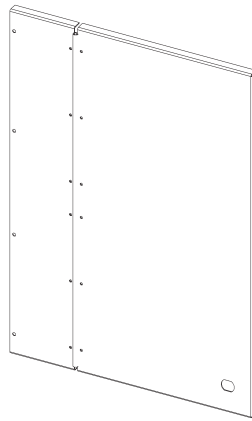
DLS-FD72—72 Relay Flush Mount Door

DLS-SS72—72 Relay Surface Mount Screwed Cover *

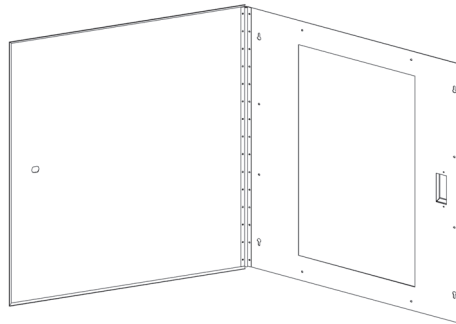
DLS-SD72—72 Relay Surface Mount Door

*Screws Visible

E12 Style Door



E36 or E72 Style Door



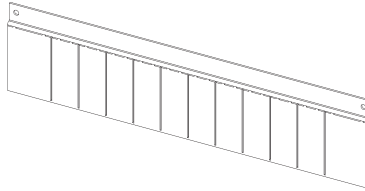
DLS Lighting Cabinets

Accessories: Replacement and Additional Parts

DLS-BB12—12 Relay Breakaway Barrier

(All Cabinets)

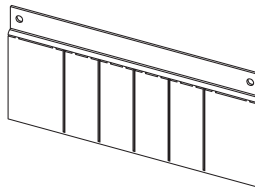
Use when less than 12 relays are populated in a 12 relay bank to provide a barrier between the low and high voltage



DLS-BB6—6 Relay Breakaway Barrier

(36 Relay Cabinet)

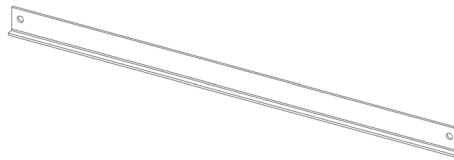
Use when less than 6 relays are populated in a 6 relay bank to provide a barrier between the low and high voltage



DLS-BAR12—12 Relay Barrier Bar

(All Cabinets)

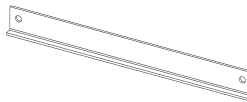
Use when a full 12 relays are populated in a 12 relay bank to provide a barrier between the low and high voltage



DLS-BAR6—6 Relay Barrier Bar

(36 Relay Cabinet)

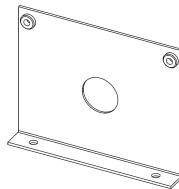
Use when a full 6 relays are populated in a 6 relay bank to provide a barrier between the low and high voltage



DLS-TMB—Transformer Mount Bracket

(12 & 72 Relay Cabinet)

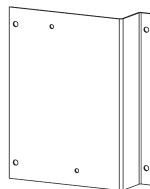
Use as a barrier as well as mounting fixture for the 12 Relay Breakaway Barrier or Barrier Bar. Provides a knock-out hole for mounting a transformer.



DLS-DMB—DFM Mounting Base

(12 Relay Cabinet)

Use for mounting an additional DFM-440 in an DLS-E12-xx-P704 or P1008 to provide additional dimming I/O

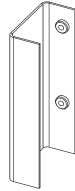


DLS Lighting Cabinets

Accessories: Replacement and Additional Parts

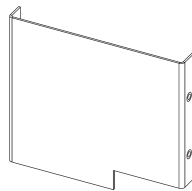
DLS-MEB—Multi-Voltage End Barrier
(36 & 72 Relay Cabinets)

Use as a barrier within the high voltage area to allow for different voltage sources between the left and right sides of the cabinet. Mounts to the End Bracket Barrier.



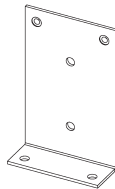
DLS-MSB—Multi-Voltage Side Barrier
(36 & 72 Relay Cabinets)

Use as a barrier within the high voltage area to allow for different voltage sources between the top and bottom of the cabinet. Mounts to the Small Bracket Barrier.



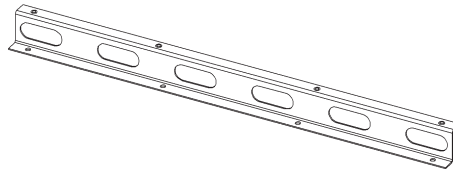
DLS-SBB—Small Bracket Barrier
(36 & 72 Relay Cabinets)

Use as a barrier, as well as mounting fixture, for the 12 and 6 Relay Breakaway Barrier and Barrier Bar. Provides mounting holes for the Multi-Voltage Side Barrier.



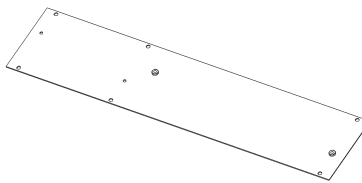
DLS-CMR—Controller Mounting Riser

(All Cabinets) Use to raise the Controller Mounting Base above the backplane of the cabinet. Provides ideal place to run low voltage switches and wires out of sight while bringing I/O of the controller up for easy access to terminals.



DLS-CMB—Controller Mounting Base
(All Cabinets)

Screwed to the Controller Mounting Riser, use to mount the Panasonic Lighting Controller as well as Room Controller for use as a user interface, or DFM-440 to be used for dimming control.



DLS-EBB—End Bracket Barrier

(36 & 72 Relay Cabinet) Use as a barrier or mounting fixture for the 12 Relay Breakaway Barriers or Barrier Bars. Provides a knock-out hole for mounting a transformer on either side of the cabinet and mounting holes for the Multi-Voltage End Barrier.

