

Carisma 2"

Recessed Linear LED



Features

Carisma Recessed is part of a family of architectural linear luminaires that offer excellent performance, quality, visuals, and value. Its sleek edge-to-edge lens design results in an elegant aesthetic with clean lines. Carisma's patent-pending design includes an integrated optical system that minimizes optical losses, allowing for industry-leading efficacy that meets the stringent requirements for DLC Listing (DLC Listing pending). The Carisma Recessed luminaires, with 2" wide apertures, deliver seamless lighting as discrete individual fixtures or continuous rows. Thus, designers can light up a space with their Carisma.

Product Overview

Type:	Direct distribution with recessed mounting
Wattage:	10W/ft
Color Temp:	3000K, 3500K
CRI:	90+
Dimming (wired):	0-10V

PROJECT:



EQUIP

Select Carisma fixtures are now part of the Delta Controls Equip program. As a Third-Party Product line, Carisma delivers high-performance lighting solutions designed to last and meet desired light levels—supporting your projects with industry-leading performance—and ships in as little as 2 weeks. Experience the power of Carisma: exceptional lighting that combines durability and precise light-level performance.

TYPE:

Fixture Summary *(see following pages for more information)*

Performance Chart

Lens	Wattage Per Foot	Delivered Lumens	LPW	Color Temp
PL	10	4375	109.4	3500K-90

Data is based on a 4' fixture

Runs

Individual Runs: 4', 6', and 8'
 Continuous Runs: 12', 16', 20', 24', 28, 32, and 36' (see pages 7-8)

Electrical Data

Wattage Per Foot		4'		8'	
		System Watts	Amps	System Watts	Amps
10	120V	38.7	0.32	80.3	0.67
	277V	40	0.15	79	0.29

Electronic multi-volt (120-277VAC), constant current LED driver



Carisma 2"

Recessed Linear LED



PROJECT:

TYPE:

Ordering Information

	1	2	3	4	5	6	7	8	9	10
					HW	120/277				
1	<u>Model</u> CAR2-R-GRID - grid ceiling mount						7	<u>Length</u> _____		
2	<u>Optics</u> PL - performance lens						8	<u>Configuration</u> IND - individual fixture, 4', 6' or 8' CON - continuous run of 12', 16', 20', 24', 28', 32', or 36' length		
3	<u>Wattage (per foot)</u> Standard: 10 - 10W/ft						9	<u>Drivers/Controls</u> <u>Wired - Static White:</u> 0-10V - 1% electronic dimming, multi-volt (120-277VAC) constant current driver (standard).		
4	<u>Color Temp</u> 90+ CRI: 309 - 3000K-90+ 359 - 3500K-90+						10	<u>Options/Accessories</u> EMB - emergency battery pack for individual 4', 6' or 8'; and first fixture in a run		
5	<u>Finish</u> HW - high reflectance matte white									
6	<u>Voltage</u> 120/277									

Carisma 2"

Recessed Linear LED



PROJECT:

TYPE:

Specifications

Construction

Extruded aluminum housing and reflector. Numerous configurations accommodate most architectural ceiling conditions.

Weights: 3 lbs/ft (may vary based on configurations and accessories)

Optical

All lenses are snap-in, extruded acrylic, with a maximum length of 8'. Amerlux's proprietary acrylic lens provides excellent transmission while effectively concealing source image.

PL - Performance Lens provides high efficiency with controlled lens surface brightness.

LED

Our LED binning is within 3 MacAdam ellipse. Boards are configured for maximum flexibility resulting in even illumination no matter the fixture layout. LED boards are easily replaced in the field with just a Phillips screw driver.

Color Temperature Options: 3000K, 3500K

CRI: 90+

R9: >50 @ CRI 92

Life: 50,000+ hr., > 70% of initial lumens (L70)

Electrical

Wiring: Supply wires are easily accessible through access plate on top of fixture.

Standard Wattage: 10W/ft.

This product complies with IEEE C62.41 for surge endurance up to 2.5KV. Amerlux® recommends using additional surge protection with this unit (supplied by others), surge and over voltage damage is not covered under warranty.

Finish

HW - High reflectance, matte white powder coat paint. Baked on finish for maximum durability and color stability.

Configurations/Lengths

Straights:

IND - Individual fixtures are made of single standard lengths of 4', 6' or 8'. These are stand alone fixtures with matching End Caps, supplied with the mounting hardware.

CON - Continuous runs, > 8' using standard lengths. Runs made from standard lengths have End Caps at the beginning and end of run. Each housing has factory installed alignment pins. Mating fixtures are easily aligned and joined. Wiring is made fast and positive with molded quick connectors.

Mounting

Intended for use in gypsum board, 9/16" and 15/16" grid ceilings.

CAR2-R-GRID - grid mount in 9/16" & 15/16" Flat Tee, 9/16" Screw Slot or 9/16" Interlude ceilings

Options

EMB - Emergency battery pack - 10W output power, 90 min of illumination time, up to 1300 lm of initial light output. Illuminated test-switch/charging indicator light is provided. Wattage consumption by EM: 2.5W/ft (4ft fixture), 1.25W/ft (8ft fixture). Request can be made to light up 4ft section on 8ft unit.

Certifications

Approved to UL standards for damp locations as tested by CSA

Intended for indoor use only

DLC Listing pending

IC rated

Chicago Plenum (CCEA) optional

Warranty

Amerlux's 5 year limited warranty. Please consult Amerlux website for details.

Carisma 2"

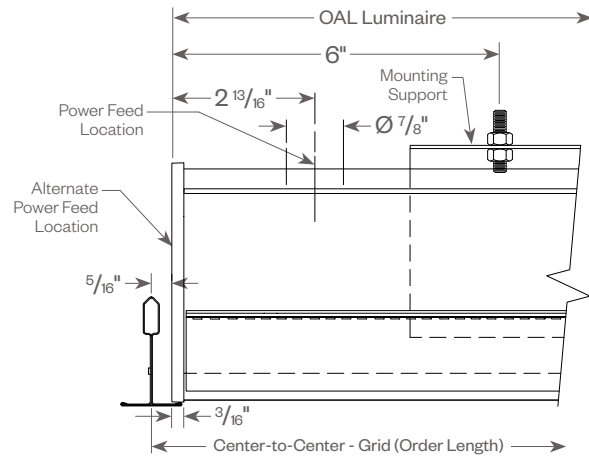
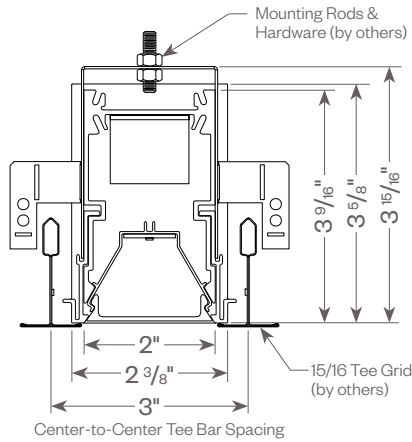
Recessed Linear LED



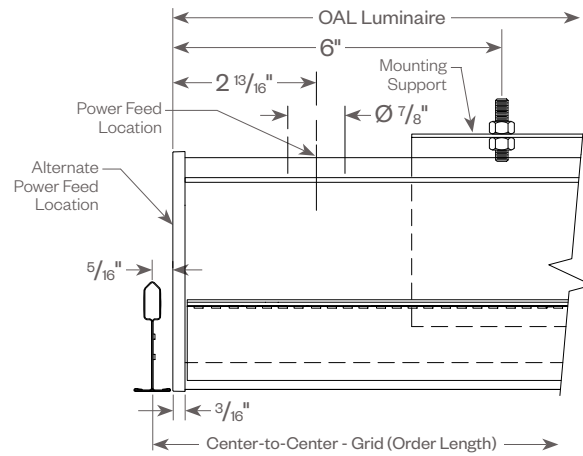
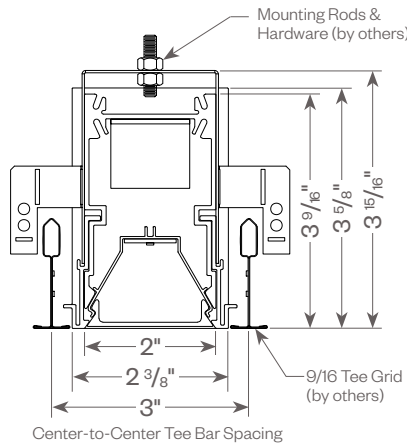
PROJECT:

TYPE:

CAR2-R-GRID
15/16 Tee

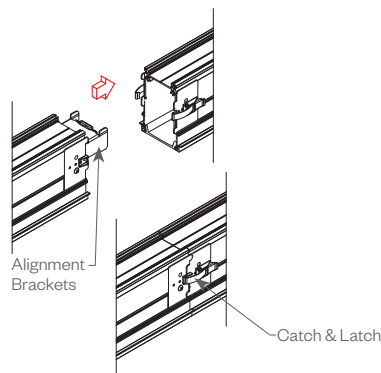


CAR2-R-GRID
9/16 Tee



TOOLLESS JOINING

Line up the two housings using the alignment brackets. Secure them together by using the Catch & Latch System on each side of the extrusion.



Carisma 2"

Recessed Linear LED



PROJECT:

TYPE:

FIXTURE DATA:

MULTIPLYING FACTORS:

NOTE: Fixture was tested with 3500K, 80 LED chip, use factors below to reflect 3000K-90 or 3500K-90 data.

CCT-CRI:	3000K-90	3500K-90
Factor:	0.92	0.92

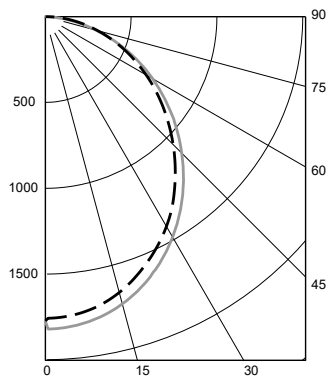
CARISMA 2" DIRECT PERFORMANCE LENS 10W 3500K 4FT

Total Watts: 39

Total Lumens: 4,755

Source: 192 White LED's

LTL# 14656342.03



ZONAL LUMEN SUMMARY

Zone	Lumens	%Fixt
0-40	2177	45.8
0-60	3754	78.9
0-90	4755	100.0
90-180	0	0.0

Efficacy (lumens/watt) = 122.8 lm/W

COEFFICIENTS OF UTILIZATION

RC	80			
RW	70	50	30	10
RCR				
0	119	119	119	119
1	109	104	100	96
2	99	91	84	78
3	90	80	71	65
4	83	71	62	55
5	76	63	54	48
6	70	57	48	42
7	65	52	43	37
8	61	47	39	33
9	57	43	35	30
10	53	40	32	27

Note: Values expressed as % of total lumen output delivered to the task surface.

Carisma 2"

Recessed Linear LED



PROJECT:

TYPE:

DIMMING COMPATIBILITY:

Amerlux® Carisma fixtures are compatible with all major dimming protocols prevalent in the United States. Please see below for general compatibilities and wiring diagrams. Amerlux recommends testing your unique dimming configuration as the exact full configuration (Dimmer, Fixture Quantity, Voltage, etc) may affect dimming performance.

--- NOTE: INFORMATION BELOW IS FOR WIRED DIMMERS ONLY. FOR WIRELESS DIMMERS, CONSULT FACTORY ---

0-10V - DIMMING (Standard)

Integrates into a variety of building management and daylighting controls

Notes:

- 120VAC or 277VAC*
- Dims down to 1% light output
- Requires interface to turn off power to driver
- Consult Dimming manufacturer for installation instructions - DO NOT SHARE NEUTRALS!

Compatible Dimmers†:

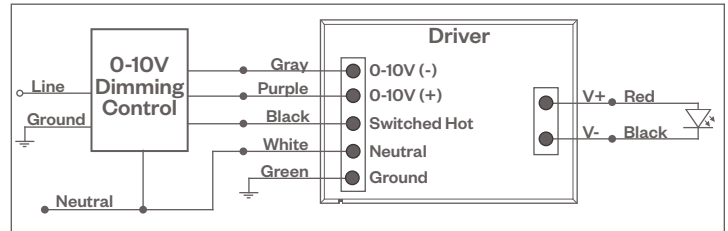
Wall Box

Lutron:	Wattstopper:	Leviton:
Diva - DVSTV	ADF-120277	Renoir II
Maestro - MS-Z101		
Nova-T - NTSTV-DV		

Center System

Lutron Grafik Eye with GRX-TV1 Interface

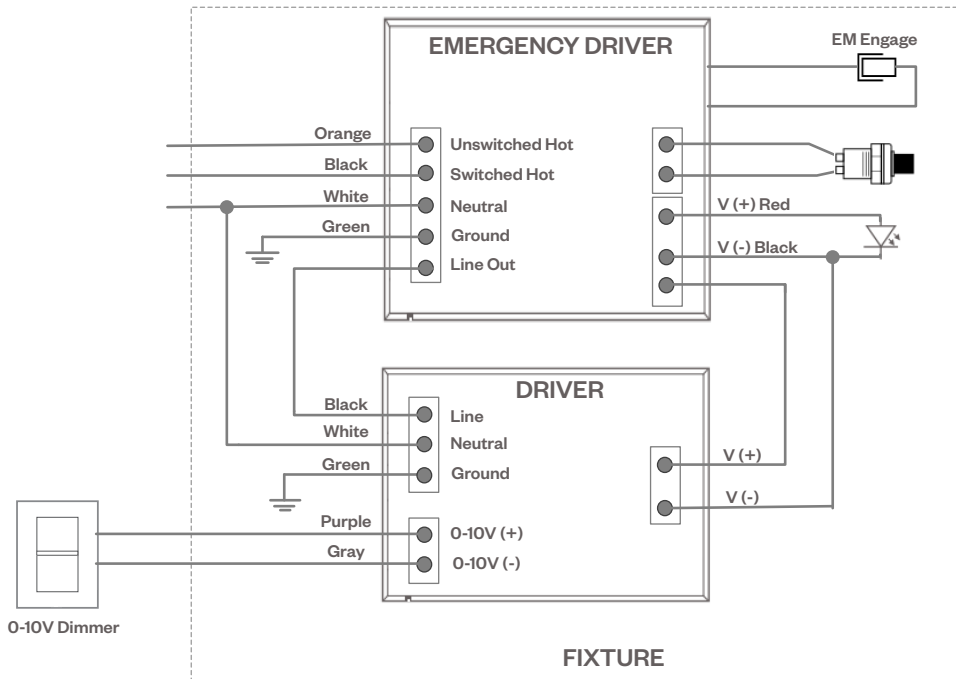
0-10V Wiring Diagram



EMERGENCY FIXTURE WITH BUILT-IN BATTERY PACK (EMB) WIRING:

Notes: EMB not available on lengths under 4'.

Mounted in first fixture in run lengths over 8'.



Notes:

* Driver is 277VAC dimmable with appropriate dimmer (by others). All provided wiring diagrams show 120VAC wiring colors and method.

Please refer to 277VAC dimmer installation instructions for 277VAC wiring diagrams.

† The absence of a dimmer from the lists above does not imply incompatibility. Please consult factory for compatibility inquiries.

Carisma 2"

Recessed Linear LED



PROJECT:

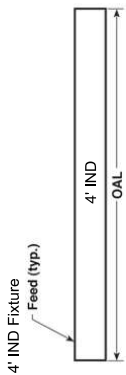
TYPE:

Individual & Continuous run Lengths

Individual Fixtures

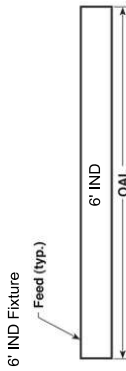
(OAL - Overall Length)
IND - Individual

4' IND Fixture
Feed (typ.)
47.38" [5'-11 3/8"]
47.38" [5'-11 3/8"]



(OAL - Overall Length)
IND - Individual

8' IND Fixture
Feed (typ.)
95.38" [7'-11 3/8"]
95.38" [7'-11 3/8"]



6' IND Fixture
Feed (typ.)
71.38" [5'-11 3/8"]
71.38" [5'-11 3/8"]

Individual Fixtures
EMB option on entire fixture (ONLY)



Fixture Runs

(OAL - Overall Length)

12' Fixture Run
Feed (typ.)
143.38" [11'-11 3/8"]

BOR - Beginning of Row
EOR - End of Row

71.22" [5'-11 1/4"]
72.16" [6'-0 1/8"]



(OAL - Overall Length)

16' Fixture Run
Feed (typ.)
191.38" [15'-11 3/8"]

BOR - Beginning of Row
EOR - End of Row

94.97" [7'-11"]
96.41" [8'-0 3/8"]

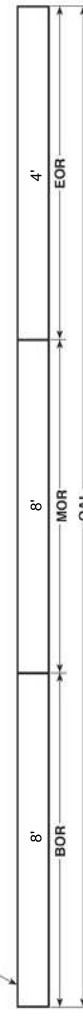


(OAL - Overall Length)

20' Fixture Run
Feed (typ.)
239.38" [19'-11 3/8"]

BOR - Beginning of Row
MOR - Middle of Row
EOR - End of Row

94.97" [7'-11"]
95.00" [7'-11"]
49.41" [4'-1 3/8"]



Fixture Runs
EMB option on entire first section (ONLY)



Carisma 2"

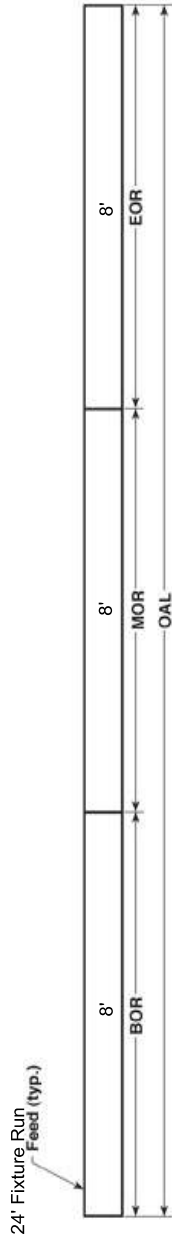
Recessed Linear LED



PROJECT:

TYPE:

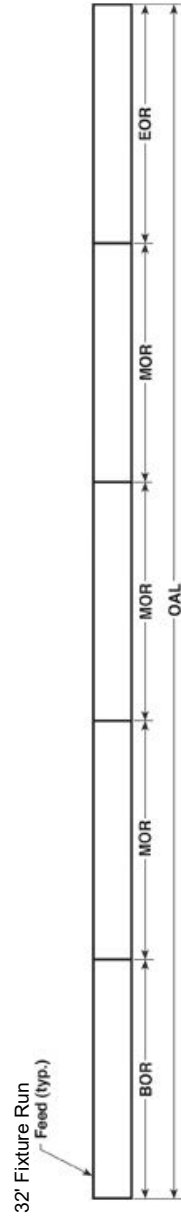
Fixture Runs (continued)



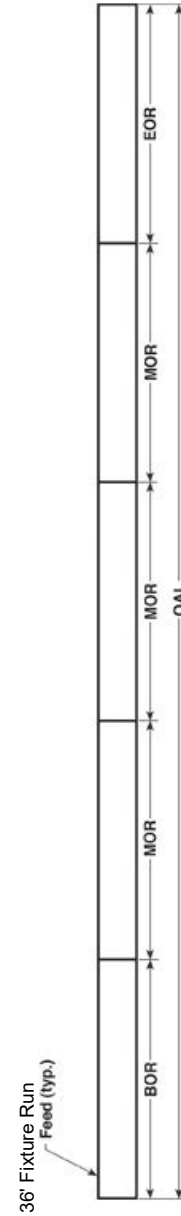
(OAL - Overall Length)	287.38" [23'-11 3/8"]
BOR - Beginning of Row	94.97" [7'-11"]
MOR - Middle of Row	95.00" [7'-11"]
EOR - End of Row	97.41" [8'-1 3/8"]



(OAL - Overall Length)	335.38" [27'-11 3/8"]
BOR - Beginning of Row	94.97" [7'-11"]
MOR - Middle of Row	95.00" [7'-11"]
EOR - End of Row	50.41" [4'-2 3/8"]



(OAL - Overall Length)	383.38" [31'-11 3/8"]
BOR - Beginning of Row	94.97" [7'-11"]
MOR - Middle of Row	95.00" [7'-11"]
MOR - Middle of Row	47.50" [3'-11 1/2"]
EOR - End of Row	50.41" [4'-2 3/8"]



(OAL - Overall Length)	431.38" [35'-11 3/8"]
BOR - Beginning of Row	94.97" [7'-11"]
MOR - Middle of Row	95.00" [7'-11"]
EOR - End of Row	51.41" [4'-3 3/8"]