

Carisma 2"

Linear Direct/Indirect LED



Features

Carisma Pendant is part of a family of architectural linear luminaires that offer excellent performance, quality, visuals, and value—a sleek edge-to-edge lens design results in an elegant aesthetic with clean lines. Carisma's patent pending design includes an integrated optical system that minimizes optical losses, allowing for industry-leading efficacy that meets the stringent requirements for DLC Listing (DLC Listing pending). A tailored end cap design and Amerlux's trusted catch-and-latch mechanism prevent all light leakage. The Carisma Pendant has a 2" wide aperture that delivers seamless lighting as discrete individual fixtures or continuous rows. Carisma is available in pendant and recessed mounting options, allowing designers to light up a space with their Carisma.

Product Overview

Type: Direct/Indirect distribution
Performance lens down/Batwing lens up

Wattage: Direct: 10W/ft; Indirect: 10W/ft

Color Temp: 3000K, 3500K

CRI: 90+

Dimming (wired): 0-10V



PROJECT:



Select Carisma fixtures are now part of the Delta Controls Equip program. As a Third-Party Product line, Carisma delivers high-performance lighting solutions designed to last and meet desired light levels—supporting your projects with industry-leading performance—and ships in as little as 2 weeks. Experience the power of Carisma: exceptional lighting that combines durability and precise light-level performance.

TYPE:

Fixture Summary *(see following pages for more information)*

Performance Chart

Wattage Per Foot	Lens Direct	Delivered Lumens Direct	LPW	Lens Indirect	Delivered Lumens Indirect	LPW	Color Temp
10	PL	4375	109.4	BAT	4581	114.5	3500K-90

Data is based on 4' fixture with Performance lens direct & Batwing lens indirect

Runs

Individual Runs: 4', 6', and 8'
Continuous Runs: 12', 16', 20', 24', 28', 32' and 36' (see pages 7-8)

Electrical Data

Wattage Per Foot		4'		8'	
		System Watts	Amps	System Watts	Amps
10/10	120V	75.4	0.63	154.9	1.30
	277V	75.4	0.29	152.0	0.56

Electronic multi-volt (120-277VAC), constant current LED driver



† DLC pending

Carisma 2" Direct/Indirect

Linear Direct/Indirect LED



PROJECT:

TYPE:

Ordering Information

CAR2-DI					120/277						
1	2	3	4	5	6	7	8	9	10	11	12
1 <u>Model</u> CAR2-DI						7 <u>Finish</u> HW - high reflectance matte white					
2 <u>Optics</u> (select 1 for direct & 1 for indirect) <u>Direct:</u> PL - performance lens <u>Indirect:</u> BAT - batwing lens						8 <u>Voltage</u> 120/277					
3 <u>Mounting</u> <u>Pendant Mount</u> (aircraft cable suspension) ASW10 - through ceiling tile or gyp board, white, 10'						9 <u>Length</u> -----					
4 <u>Circuiting</u> 1 - single circuit, direct & indirect are on the same circuit						10 <u>Configuration</u> IND - individual fixture, 2' to 8' in 1' increments CON - continuous run of 12', 16', 20', 24', 28', 32' or 36' length					
5 <u>Wattage</u> (per foot, direct/indirect) Standard: 10/10						11 <u>Drivers/Controls</u> <u>Wired - Static White:</u> 0-10V - 1% electronic dimming, multi-volt (120-277VAC) constant current driver (standard).					
6 <u>Color Temp</u> 90+ CRI: 309 - 3000K-90+ 359 - 3500K-90+						12 <u>Options/Accessories</u> EMB - emergency battery pack for individual 4', 6' or 8' fixture, and <u>first fixture in a run</u>					

Carisma 2" Direct/Indirect

Carisma 2" Direct/Indirect

Linear Direct/Indirect LED



Carisma 2" Direct/Indirect

PROJECT:

TYPE:

Specifications

Construction

Extruded aluminum housing and reflector. Die-cast end caps match fixture body finish.

Weight: 2.5 lbs/ft (may vary based on configurations and accessories)

Optical

Direct:

All Direct lenses are snap-in, extruded acrylic, with a maximum length of 8'. Amerlux's proprietary acrylic lens provides excellent transmission while effectively concealing source image.

PL - Performance lens provides high efficiency with controlled lens surface brightness.

Indirect:

Extruded acrylic lens with a maximum length of 4'.

BAT - Batwing uplight lens spreads light directly above fixture.

A minimum of 18" distance between ceiling plane and top of fixture is suggested.

LED

Our LED binning is within 3 MacAdam ellipse. Boards are configured for maximum flexibility resulting in even illumination no matter what the fixture layout. LED boards are easily replaced in the field with just a Phillips screw driver.

Color Temperature Options: 3000K, 3500K

CRI: 90+

R9: >50 @ CRI 92

Life: 50,000+ hr, > 70% of initial lumens (L70)

Electrical

Wiring: Individual and "Beginning of Run" (BOR) fixtures are prewired with power cord. All configurations have quick connect power harnesses for row connections.

1 - Single Circuit, direct & indirect are on the same circuit

Standard Wattage: 10W/ft.

This product complies with IEEE C62.41 for surge endurance up to 2.5KV. Amerlux® recommends using additional surge protection with this unit (supplied by others), surge and over voltage damage is not covered under warranty.

Finish

All painted surfaces are premium powder coated baked on for maximum durability and color stability.

HW - High reflective matte White

Configurations/Lengths

Straights:

IND - Individual fixtures are made of single standard lengths of 4', 6' or 8'. These are stand alone fixtures with matching End Caps, supplied with the mounting hardware.

CON - Continuous runs, > 8' using standard lengths. Runs made from standard lengths have End Caps at the beginning and end of run. Each housing has factory installed alignment pins. Mating fixtures are easily aligned and joined.

Wiring is made fast and positive with molded quick connectors.

Mounting

The Carisma Direct is intended for pendant mounting.

For even lighting on ceiling, Amerlux suggests 18" minimum distance from top of fixture to ceiling when pendant mounted.

Pendant Mount-ASWxx - Direct/Indirect pendant mounted in center of ceiling tile or gypsum board ceiling (standard) i.e. ASWxx.

Cable is stranded stainless steel wire. All fittings are protected against rust and corrosion. Canopies are 5" x 1/4" die formed painted steel. Adjustment mechanism allows for infinite height adjustment. Amerlux recommends the required feed and non-feed suspensions based upon length and electrical options. Options include: color of canopy and power cord (black or white), length 10", and mounting condition, in center of ceiling tile and in gypsum board ceiling (standard) i.e. ASWxx.

Please note: Single Circuit is standard, the direct & indirect are on the same circuit.

Options

EMB - Emergency battery pack - 10W output power, 90 min of illumination time, up to 1300 lm of initial light output. Illuminated test-switch/charging indicator light is provided. Wattage consumption by EM: 2.5W/ft (4ft fixture), 1.25W/ft (8ft fixture). Request can be made to light up 4ft section on 8ft unit.

Certifications

Approved to UL standards for damp locations as tested by CSA

Intended for indoor use only

DLC Listing pending

Warranty

Amerlux's 5 year limited warranty. Please consult Amerlux website for details.



Carisma 2" Direct/Indirect

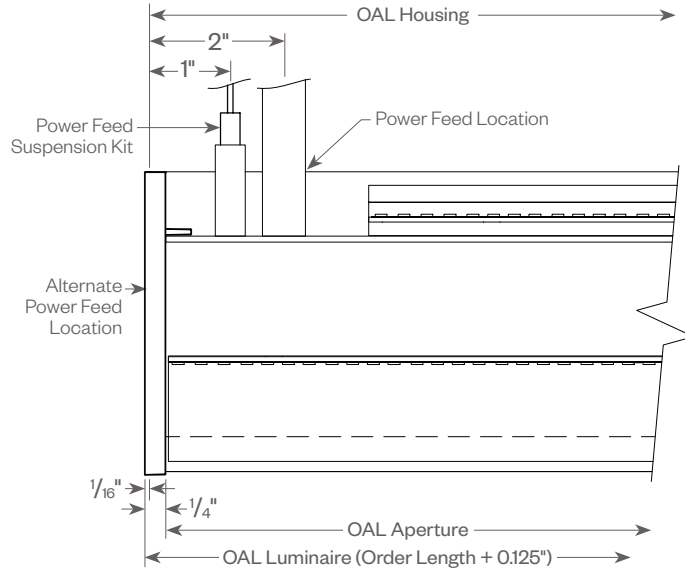
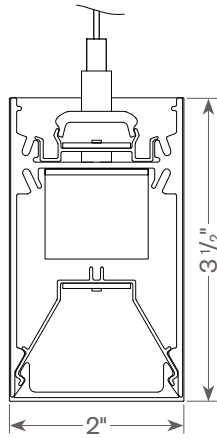
Linear Direct/Indirect LED



PROJECT:

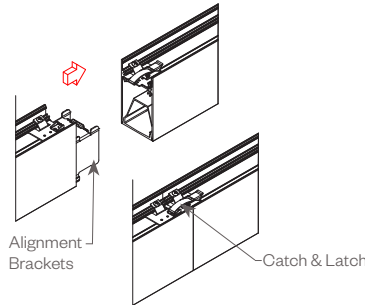
TYPE:

Pendant

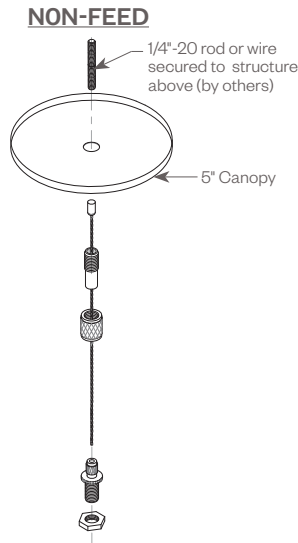
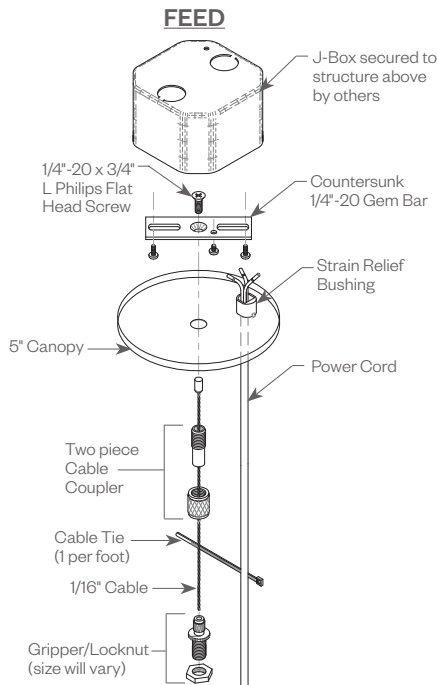


TOOLLESS JOINING

Line up the two housings using the alignment brackets. Secure them together by using the Catch & Latch System on the top of the extrusion.



CABLE KIT SUSPENSION OPTIONS: CEILING OR GYPSUM BOARD (ASW10)



Cat#	Length	Cord/Canopy	Application
ASW10	10'	white/white	ceiling tile/gypsum

Carisma 2" Direct/Indirect

Linear Direct/Indirect LED



PROJECT:

TYPE:

FIXTURE DATA:

MULTIPLYING FACTORS:

NOTE: Fixture was tested with 3500K, 80 LED chip, use factors below to reflect 3000K-90 or 3500K-90 data.

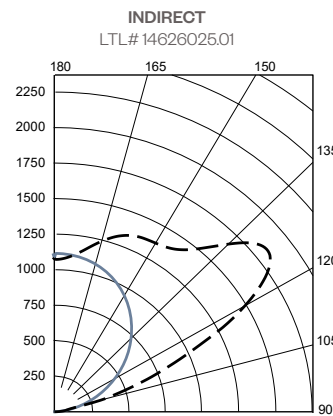
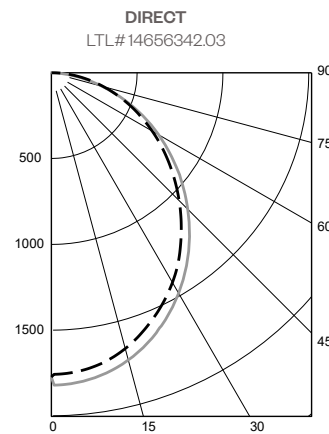
CCT-CRI:	3000K-90	3500K-90
Factor:	0.92	0.92

CARISMA 2" DIRECT/INDIRECT PERFORMANCE LENS 10W/10W 3500K 4FT

Total Watts: 76

Total Lumens: 9,734

Source: 384 White LED's



ZONAL LUMEN SUMMARY

Zone	Lumens	%Fixt
0-40	2177	45.8
0-60	3754	78.9
0-90	4755	100.0
90-180	0	0.0

Efficacy (lumens/watt) = 122.8 lm/W

COEFFICIENTS OF UTILIZATION

RC	80			
RW	70	50	30	10
RCR				
0	119	119	119	119
1	109	104	100	96
2	99	91	84	78
3	90	80	71	65
4	83	71	62	55
5	76	63	54	48
6	70	57	48	42
7	65	52	43	37
8	61	47	39	33
9	57	43	35	30
10	53	40	32	27

Note: Values expressed as % of total lumen output delivered to the task surface.

ZONAL LUMEN SUMMARY

Zone	Lumens	%Fixt
0-40	0	0
0-60	0	0
0-90	0	0
90-180	4979	100.0

Efficacy (lumens/watt) = 135.6 lm/W

COEFFICIENTS OF UTILIZATION

RC	80			
RW	70	50	30	10
RCR				
0	95	95	95	95
1	87	83	79	76
2	79	72	66	62
3	72	63	57	51
4	65	56	48	43
5	60	49	42	36
6	55	44	36	31
7	50	39	32	27
8	47	35	28	23
9	43	32	25	20
10	40	29	22	18

Note: Values expressed as % of total lumen output delivered to the task surface.

Carisma 2" Direct/Indirect

Linear Direct/Indirect LED



PROJECT:

TYPE:

DIMMING COMPATIBILITY:

Amerlux® Carisma fixtures are compatible with all major dimming protocols prevalent in the United States. Please see below for general compatibilities and wiring diagrams. Amerlux recommends testing your unique dimming configuration as the exact full configuration (Dimmer, Fixture Quantity, Voltage, etc) may affect dimming performance.

--- NOTE: INFORMATION BELOW IS FOR WIRED DIMMERS ONLY. FOR WIRELESS DIMMERS, CONSULT FACTORY ---

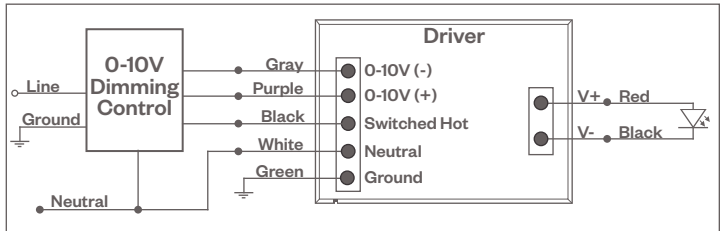
0-10V - DIMMING (Standard)

Integrates into a variety of building management and daylighting controls

Notes:

- 120VAC or 277VAC*
- Dims down to 1% light output
- Requires interface to turn off power to driver
- Consult Dimming manufacturer for installation instructions - DO NOT SHARE NEUTRALS!

0-10V Wiring Diagram



Compatible Dimmers†:

Wall Box

Lutron:	Wattstopper:	Leviton:
Diva - DVSTV	ADF-120277	Renoir II
Maestro - MS-Z101		
Nova-T - NTSTV-DV		

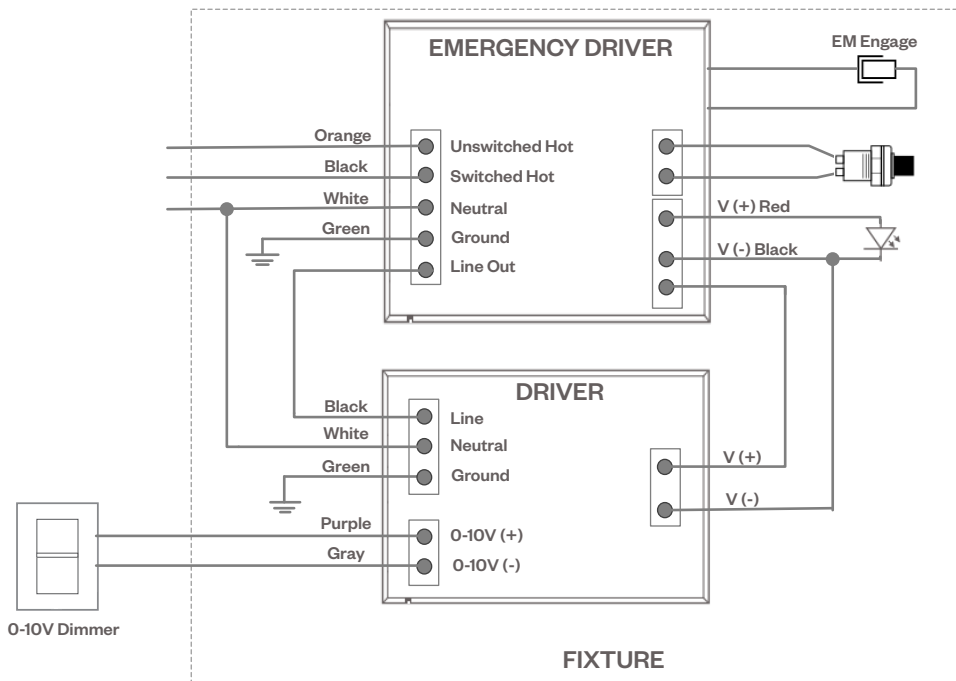
Center System

Lutron Grafik Eye with GRX-TV1 Interface

EMERGENCY FIXTURE WITH BUILT-IN BATTERY PACK (EMB) WIRING:

Notes: EMB not available on lengths under 4'.

Mounted in first fixture in run lengths over 8'.



Notes:

- * Driver is 277VAC dimmable with appropriate dimmer (by others). All provided wiring diagrams show 120VAC wiring colors and method. Please refer to 277VAC dimmer installation instructions for 277VAC wiring diagrams.
- † The absence of a dimmer from the lists above does not imply incompatibility. Please consult factory for compatibility inquiries.

Carisma 2" Direct/Indirect

Linear Direct/Indirect LED



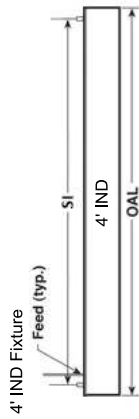
PROJECT:

TYPE:

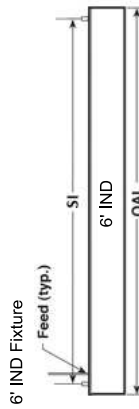
Individual & Continuous run Lengths

Individual Fixtures

(OAL - Overall Length)	4' IND	4'-0 1/16"	4'-0 1/16"	4'-0 1/16"
IND - Individual	48.06"	[4'-0 1/16"]	[4'-0 1/16"]	[4'-0 1/16"]
SI - Suspension IND	45.94"	[3'-9 15/16"]	[3'-9 15/16"]	[3'-9 15/16"]

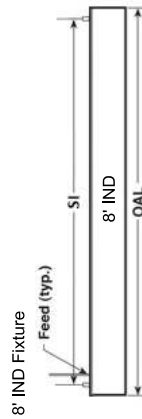


(OAL - Overall Length)	71.81"	[5'-11 13/16"]	71.81"	[5'-11 13/16"]
IND - Individual	71.81"	[5'-11 13/16"]	71.81"	[5'-11 13/16"]
SI - Suspension IND	69.69"	[5'-9 11/16"]	69.69"	[5'-9 11/16"]



Individual Fixtures

(OAL - Overall Length)	8' IND	8'-11 9/16"	8'-11 9/16"	8'-11 9/16"
IND - Individual	95.56"	[7'-11 9/16"]	95.56"	[7'-11 9/16"]
SI - Suspension IND	93.44"	[7'-9 7/16"]	93.44"	[7'-9 7/16"]



Individual Fixtures

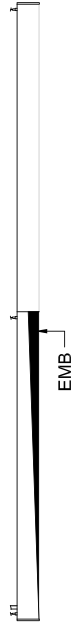


Fixture Runs

(OAL - Overall Length)	12' Fixture Run	143.06"	[11'-11 1/16"]	143.06"	[11'-11 1/16"]
BOR - Beginning of Row	71.28"	[5'-11 1/4"]	71.28"	[5'-11 1/4"]	71.28"
EOR - End of Row	71.78"	[5'-11 3/4"]	71.78"	[5'-11 3/4"]	71.78"
SB - Suspension BOR	66.22"	[5'-8 1/4"]	66.22"	[5'-8 1/4"]	66.22"
SE - Suspension EOR	72.72"	[6'-0 3/4"]	72.72"	[6'-0 3/4"]	72.72"



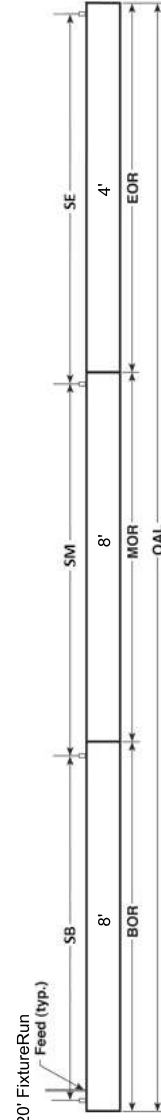
Fixture Runs



(OAL - Overall Length)	16' Fixture Run	190.56"	[15'-10 9/16"]	190.56"	[15'-10 9/16"]
BOR - Beginning of Row	95.03"	[7'-11"]	95.03"	[7'-11"]	95.03"
EOR - End of Row	95.53"	[7'-11 1/2"]	95.53"	[7'-11 1/2"]	95.53"
SB - Suspension BOR	91.97"	[7'-8"]	91.97"	[7'-8"]	91.97"
SE - Suspension EOR	96.47"	[8'-0 1/2"]	96.47"	[8'-0 1/2"]	96.47"



(OAL - Overall Length)	20' Fixture Run	239.06"	[19'-10 1/16"]	239.06"	[19'-10 1/16"]
BOR - Beginning of Row	95.03"	[7'-11"]	95.03"	[7'-11"]	95.03"
MOR - Middle of Row	95.00"	[7'-11"]	95.00"	[7'-11"]	95.00"
EOR - End of Row	48.03"	[4'-0"]	48.03"	[4'-0"]	48.03"
SB - Suspension BOR	91.97"	[7'-8"]	91.97"	[7'-8"]	91.97"
SM - Suspension MOR	95.00"	[7'-11"]	95.00"	[7'-11"]	95.00"
SE - Suspension EOR	48.97"	[4'-1"]	48.97"	[4'-1"]	48.97"



Carisma 2" Direct/Indirect

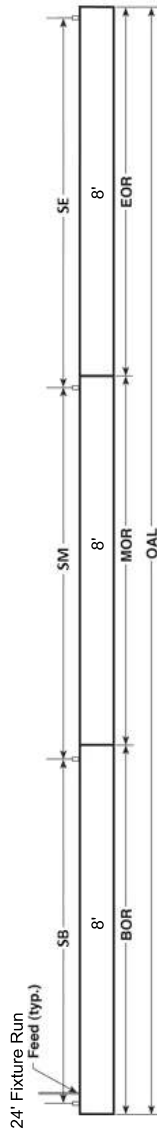
Linear Direct/Indirect LED



PROJECT:

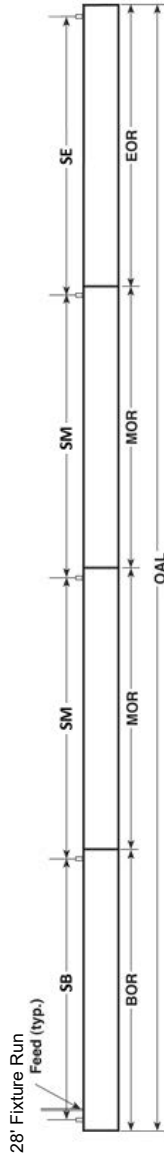
TYPE:

Fixture Runs (continued)



24' Fixture Run
Feed (typ.)

(OAL - Overall Length)	285.56"	[23'-9 1/16"]
BOR - Beginning of Row	95.03"	[7'-11"]
MOR - Middle of Row	95.00"	[7'-11"]
EOR - End of Row	95.53"	[7'-11 1/2"]
SB - Suspension BOR	91.97"	[7'-8"]
SM - Suspension MOR	95.00"	[7'-11"]
SE - Suspension EOR	96.47"	[8'-0 1/2"]



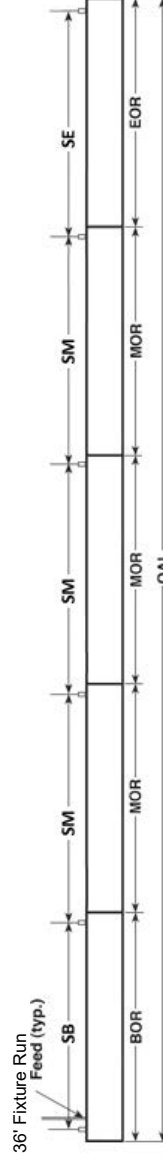
28' Fixture Run
Feed (typ.)

(OAL - Overall Length)	333.06"	[27'-9 1/16"]
BOR - Beginning of Row	95.03"	[7'-11"]
MOR - Middle of Row	95.00"	[7'-11"]
EOR - End of Row	48.03"	[4'-0"]
SB - Suspension BOR	91.97"	[7'-8"]
SM - Suspension MOR	95.00"	[7'-11"]
SE - Suspension EOR	48.97"	[4'-1"]



32' Fixture Run
Feed (typ.)

(OAL - Overall Length)	380.56"	[31'-8 9/16"]
BOR - Beginning of Row	95.03"	[7'-11"]
MOR - Middle of Row	95.00"	[7'-11"]
EOR - End of Row	95.53"	[7'-11 1/2"]
SB - Suspension BOR	91.97"	[7'-8"]
SM - Suspension MOR	95.00"	[7'-11"]
SE - Suspension EOR	96.47"	[8'-0 1/2"]



36' Fixture Run
Feed (typ.)

(OAL - Overall Length)	428.06"	[35'-8 1/16"]
BOR - Beginning of Row	95.03"	[7'-11"]
MOR - Middle of Row	95.00"	[7'-11"]
EOR - End of Row	48.03"	[4'-0"]
SB - Suspension BOR	91.97"	[7'-8"]
SM - Suspension MOR	95.00"	[7'-11"]
SE - Suspension EOR	48.97"	[4'-1"]

