

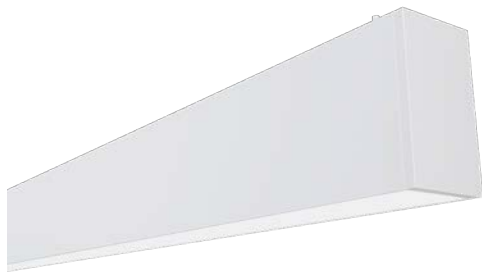
Carisma 2"

Linear Direct LED



Features

Light up a space with top performance and efficiency. The pendant or recessed mounting options allow users to use discrete individual fixtures or continuous rows. Carisma is available as a pendant with a 2" wide aperture, delivering seamless lighting. A trusted catch-and-latch mechanism prevents all light leakage. DLC Listing (DLC Listing pending). A tailored end cap design and Amerlux's industry-leading efficacy that meets the stringent requirements for design includes an integrated optical system that minimizes optical losses. Design results in an elegant aesthetic with clean lines. Carisma's patent-pending excellent performance, quality, visuals, and value. A sleek edge-to-edge lens.



Product Overview

Type:	Direct distribution with pendant mounting
Wattage:	10W/ft
Color Temp:	3000K, 3500K
CRI:	90+
Dimming (wired):	0-10V

PROJECT:

TYPE:



EQUIP

Select Carisma fixtures are now part of the Delta Controls Equip program. As a Third-Party Product line, Carisma delivers high-performance lighting solutions designed to last and meet desired light levels—supporting your projects with industry-leading performance—and ships in as little as 2 weeks. Experience the power of Carisma: exceptional lighting that combines durability and precise light-level performance.

Fixture Summary *(see following pages for more information)*

Performance Chart

Lens	Wattage Per Foot	Delivered Lumens	LPW	Color Temp
PL	10	4375	109.4	3500K-90

Data is based on a 4' fixture

Runs

Individual Runs: 4', 6', and 8'
 Continuous Runs: 12', 16', 20', 24', 28', 32', and 36' (see pages 7-8)

Electrical Data

Wattage Per Foot		4'		8'	
		System Watts	Amps	System Watts	Amps
10	120V	38.7	0.32	80.3	0.67
	277V	40	0.15	79	0.29

Electronic multi-volt (120-277VAC), constant current LED driver



5 year limited warranty
 AMERLUX LED

† DLC pending

Carisma 2" Direct

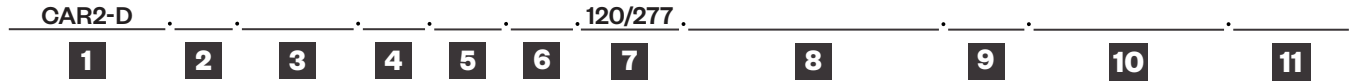
Linear Direct LED



PROJECT:

TYPE:

Ordering Information



- | | |
|---|---|
| 1 <u>Model</u>
CAR2-D | 7 <u>Voltage</u>
120/277 |
| 2 <u>Optics</u>
PL - performance lens | 8 <u>Length</u>
----- |
| 3 <u>Mounting</u>
<u>Pendant Mount</u> (aircraft cable suspension)
ASW10 - through ceiling tile or gyp board, white, 10' | 9 <u>Configuration</u>
IND - individual fixture, 4', 6' or 8'
CON - continuous run of 12', 16', 20', 24', 28', 32', or 36' length |
| 4 <u>Wattage (per foot)</u>
Standard:
10 - 10W/ft | 10 <u>Drivers/Controls</u>
<u>Wired:</u>
0-10V - 1% electronic dimming, multi-volt (120-277VAC)
constant current driver (standard). |
| 5 <u>Color Temp</u>
90+ CRI:
309 - 3000K-90+
359 - 3500K-90+ | 11 <u>Options/Accessories</u>
EMB - emergency battery pack for individual 4', 6' or 8' fixture, and first fixture in a run |
| 6 <u>Finish</u>
HW - high reflectance matte white | |

Carisma 2" Direct

Linear Direct LED



PROJECT:

TYPE:

Specifications

Construction

Extruded aluminum housing and reflector. Die-cast end caps match fixture body finish.

Weight: 2.5 lbs/ft (may vary based on configurations and accessories)

Optical

All lenses are snap-in, extruded acrylic, with a maximum length of 8'. Amerlux's proprietary acrylic lens provide excellent transmission while effectively concealing source image.

PL - Performance Lens provides high efficiency with controlled lens surface brightness.

LED

Our LED binning is within 3 MacAdam ellipse. Boards are configured for maximum flexibility resulting in even illumination no matter the fixture layout. LED boards are easily replaced in the field with just a Phillips screw driver.

Color Temperature Options: 3000K, 3500K

CRI: 90+

R9: >50 @ CRI 92

Life: 50,000+ hr., > 70% of initial lumens (L70)

Electrical

Wiring: Individual and "Beginning of Run" (BOR) fixtures are prewired with power cord. All configurations have quick connect power harnesses for row connections.

Standard Wattage: 10W/ft.

This product complies with IEEE C62.41 for surge endurance up to 2.5KV.

Amerlux® recommends using additional surge protection with this unit (supplied by others), surge and over voltage damage is not covered under warranty.

Finish

All painted surfaces are premium powder coated baked on for maximum durability and color stability.

HW - High reflective matte White

Configurations/Lengths

Straights:

IND - Individual fixtures are made of single standard lengths of 4', 6' or 8'.

These are stand alone fixtures with matching End Caps, supplied with the mounting hardware.

CON - Continuous runs, > 8' using standard lengths. Runs made from standard lengths have End Caps at the beginning and end of run. Each housing has factory installed alignment pins. Mating fixtures are easily aligned and joined. Wiring is made fast and positive with molded quick connectors.

Mounting

The Carisma Direct is intended for pendant mounting.

Pendant Mount-ASWxx - Direct pendant mounted in center of ceiling tile or gypsum board ceiling (standard) i.e. ASWxx.

Cable is stranded stainless steel wire. All fittings are protected against rust and corrosion. Canopies are 5" x 1/4" die formed painted steel. Adjustment mechanism allows for infinite height adjustment. Amerlux recommends the required feed and non-feed suspensions based upon length and electrical options. Options include: color of canopy and power cord (black or white), length 10' and mounting condition, in center of ceiling tile and in gypsum board ceiling (standard) i.e. ASWxx.

Options

EMB - Emergency battery pack - 10W output power, 90 min of illumination time, up to 1300 lm of initial light output. Illuminated test-switch/charging indicator light is provided. Wattage consumption by EM: 2.5W/ft (4ft fixture), 1.25W/ft (8ft fixture). Request can be made to light up 4ft section on 8ft unit.

Certifications

Approved to UL standards for damp locations as tested by CSA

Intended for indoor use only

DLC Listing pending

Warranty

Amerlux's 5 year limited warranty. Please consult Amerlux website for details.

Carisma 2" Direct

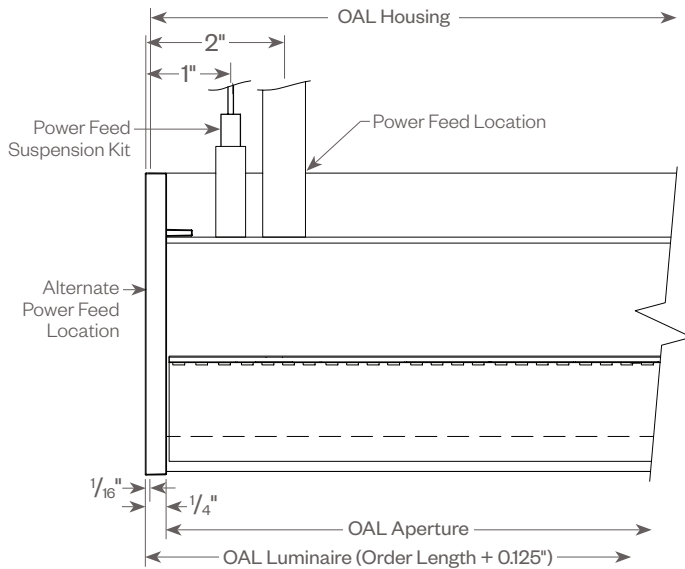
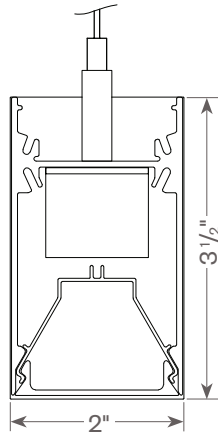
Linear Direct LED



PROJECT:

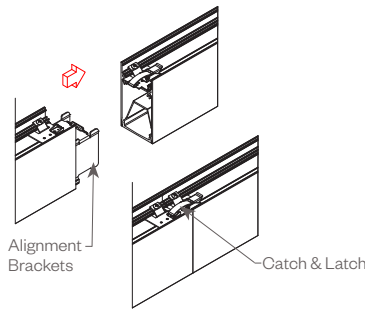
TYPE:

Pendant



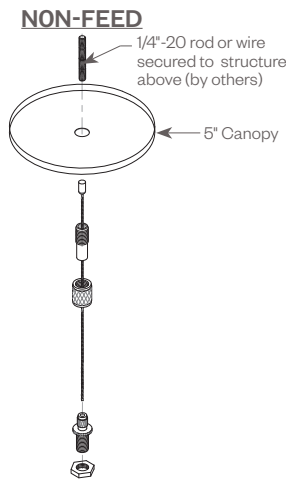
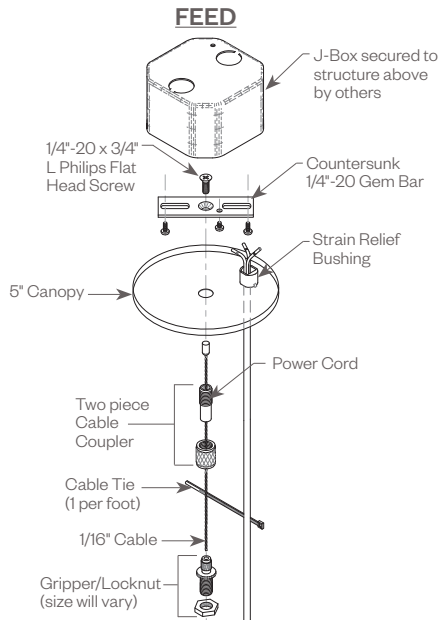
TOOLLESS JOINING

Line up the two housings using the alignment brackets. Secure them together by using the Catch & Latch System on the top of the extrusion.



CABLE KIT SUSPENSION OPTIONS: CEILING OR GYPSUM BOARD (ASW10)

Cat#	Length	Cord/Canopy	Application
ASW10	10'	white/white	ceiling tile/gypsum



Carisma 2" Direct

Linear Direct LED



PROJECT:

TYPE:

FIXTURE DATA:

MULTIPLYING FACTORS:

NOTE: Fixture was tested with 3500K, 80 LED chip, use factors below to reflect 3000K-90 or 3500K-90 data.

CCT-CRI:	3000K-90	3500K-90
Factor:	0.92	0.92

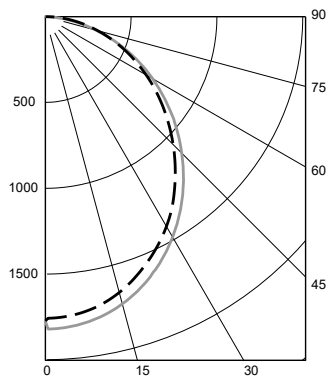
CARISMA 2" DIRECT PERFORMANCE LENS 10W 3500K 4FT

Total Watts: 39

Total Lumens: 4,755

Source: 192 White LED's

LTL# 14656342.03



ZONAL LUMEN SUMMARY

Zone	Lumens	%Fixt
0-40	2177	45.8
0-60	3754	78.9
0-90	4755	100.0
90-180	0	0.0

Efficacy (lumens/watt) = 122.8 lm/W

COEFFICIENTS OF UTILIZATION

RC	80			
RW	70	50	30	10
ROR				
0	119	119	119	119
1	109	104	100	96
2	99	91	84	78
3	90	80	71	65
4	83	71	62	55
5	76	63	54	48
6	70	57	48	42
7	65	52	43	37
8	61	47	39	33
9	57	43	35	30
10	53	40	32	27

Note: Values expressed as % of total lumen output delivered to the task surface.

Carisma 2" Direct

Linear Direct LED



PROJECT:

TYPE:

DIMMING COMPATIBILITY:

Amerlux® Carisma fixtures are compatible with all major dimming protocols prevalent in the United States. Please see below for general compatibilities and wiring diagrams. Amerlux recommends testing your unique dimming configuration as the exact full configuration (Dimmer, Fixture Quantity, Voltage, etc) may affect dimming performance.

--- NOTE: INFORMATION BELOW IS FOR WIRED DIMMERS ONLY. FOR WIRELESS DIMMERS, CONSULT FACTORY ---

0-10V - DIMMING (Standard)

Integrates into a variety of building management and daylighting controls

Notes:

- 120VAC or 277VAC*
- Dims down to 1% light output
- Requires interface to turn off power to driver
- Consult Dimming manufacturer for installation instructions - DO NOT SHARE NEUTRALS!

Compatible Dimmers†:

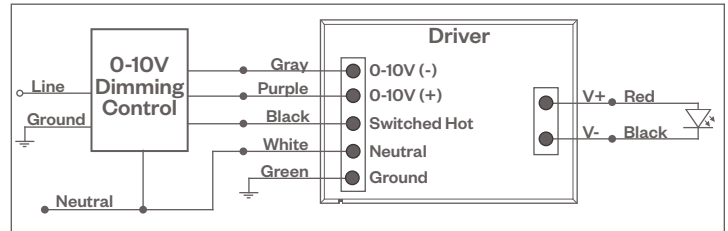
Wall Box

Lutron:	Wattstopper:	Leviton:
Diva - DVSTV	ADF-120277	Renoir II
Maestro - MS-Z101		
Nova-T - NTSTV-DV		

Center System

Lutron Grafikx Eye with GRX-TV1 Interface

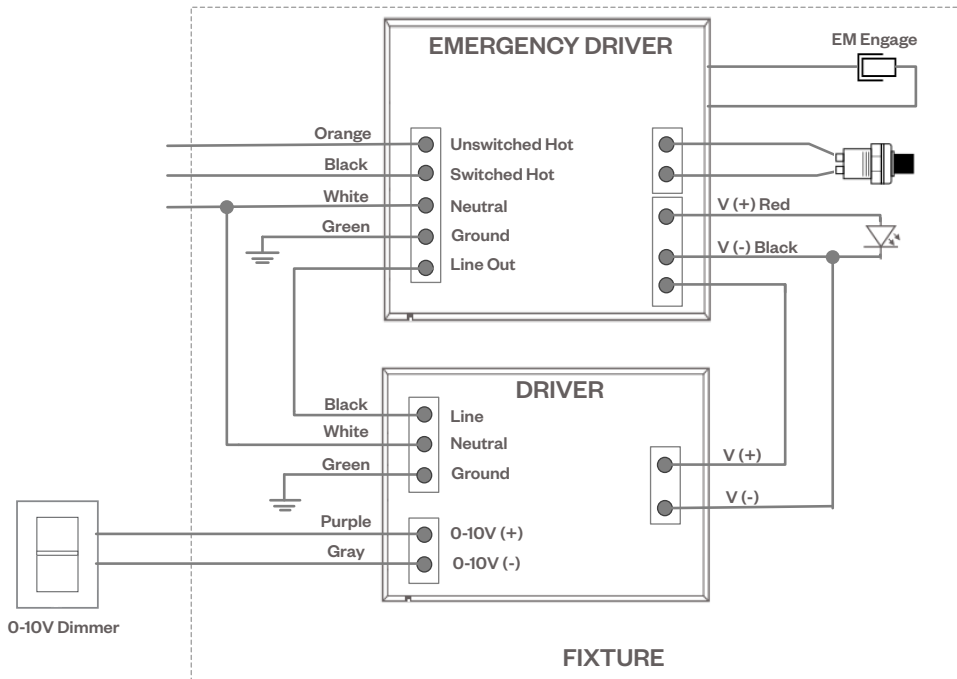
0-10V Wiring Diagram



EMERGENCY FIXTURE WITH BUILT-IN BATTERY PACK (EMB) WIRING:

Notes: EMB not available on lengths under 4'.

Mounted in first fixture in run lengths over 8'.



Notes:

* Driver is 277VAC dimmable with appropriate dimmer (by others). All provided wiring diagrams show 120VAC wiring colors and method. Please refer to 277VAC dimmer installation instructions for 277VAC wiring diagrams.

† The absence of a dimmer from the lists above does not imply incompatibility. Please consult factory for compatibility inquiries.

Carisma 2" Direct

Linear Direct LED

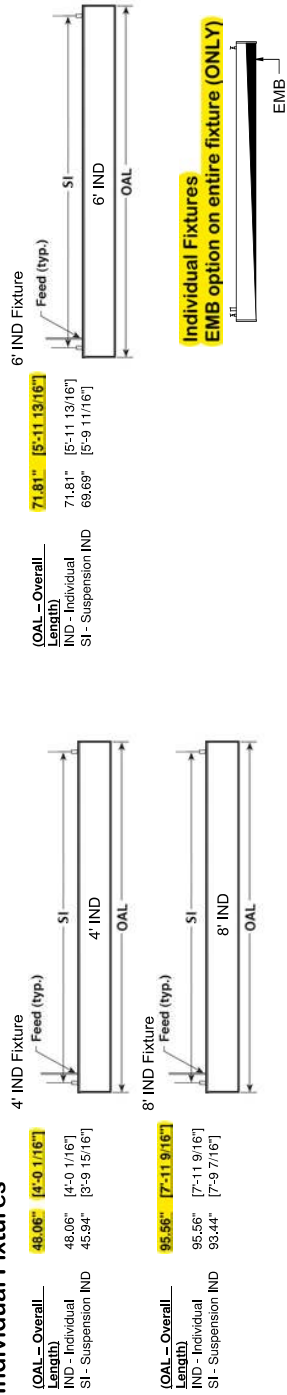


PROJECT:

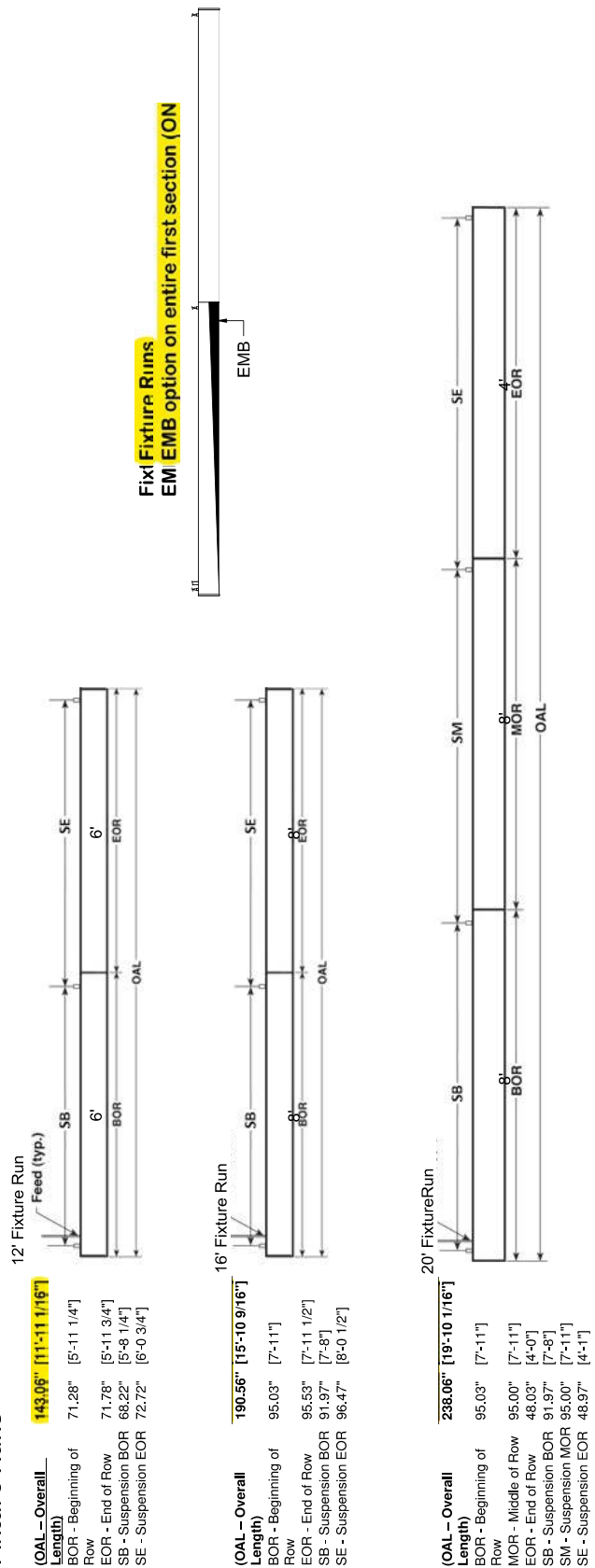
TYPE:

Individual & Continuous run Lengths

Individual Fixtures



Fixture Runs



Carisma 2" Direct

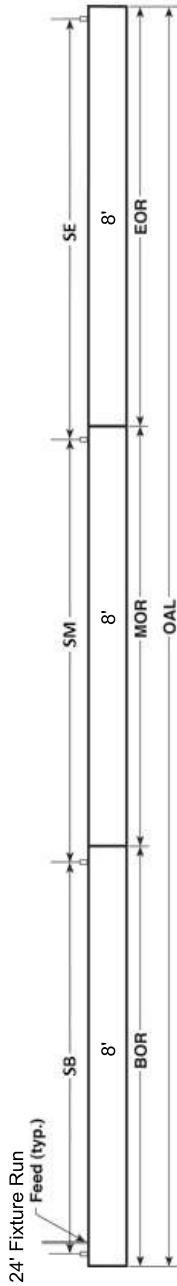
Linear Direct LED



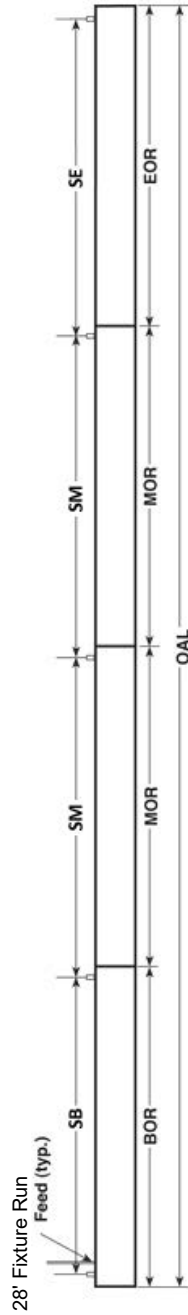
PROJECT:

TYPE:

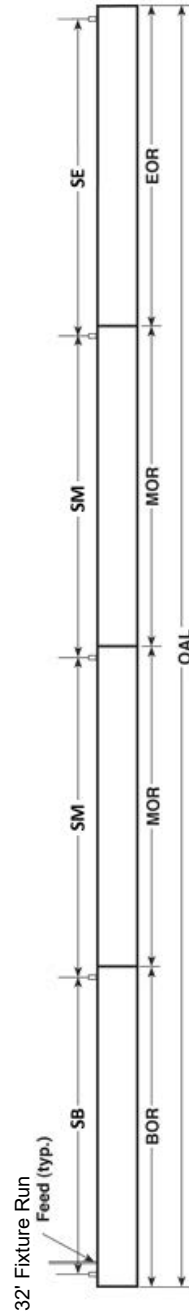
Fixture Runs (continued)



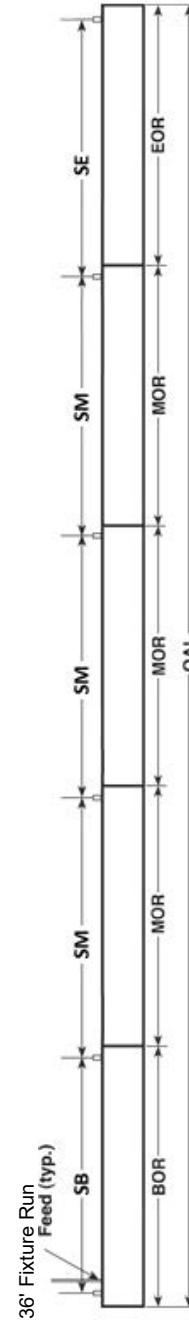
(OAL - Overall Length)	285.56" [23'-9 9/16"]
BOR - Beginning of Row	95.03" [7'-11"]
MOR - Middle of Row	95.00" [7'-11"]
EOR - End of Row	95.53" [7'-11 1/2"]
SB - Suspension BOR	91.97" [7'-8"]
SM - Suspension MOR	95.00" [7'-11"]
SE - Suspension EOR	96.47" [8'-0 1/2"]



(OAL - Overall Length)	333.06" [27'-9 1/16"]
BOR - Beginning of Row	95.03" [7'-11"]
MOR - Middle of Row	95.00" [7'-11"]
EOR - End of Row	48.03" [4'-0"]
SB - Suspension BOR	91.97" [7'-8"]
SM - Suspension MOR	95.00" [7'-11"]
SE - Suspension EOR	48.97" [4'-1"]



(OAL - Overall Length)	380.56" [31'-8 9/16"]
BOR - Beginning of Row	95.03" [7'-11"]
MOR - Middle of Row	95.00" [7'-11"]
EOR - End of Row	95.53" [7'-11 1/2"]
SB - Suspension BOR	91.97" [7'-8"]
SM - Suspension MOR	95.00" [7'-11"]
SE - Suspension EOR	96.47" [8'-0 1/2"]



(OAL - Overall Length)	428.06" [35'-8 1/16"]
BOR - Beginning of Row	95.03" [7'-11"]
MOR - Middle of Row	95.00" [7'-11"]
EOR - End of Row	48.03" [4'-0"]
SB - Suspension BOR	91.97" [7'-8"]
SM - Suspension MOR	95.00" [7'-11"]
SE - Suspension EOR	48.97" [4'-1"]