



EBV Series-DC Actuators – Submittal/Technical Data

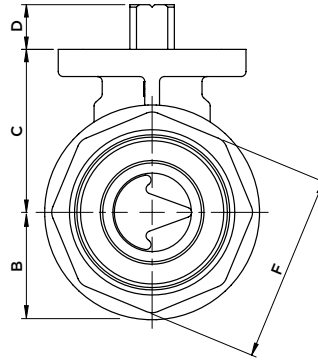
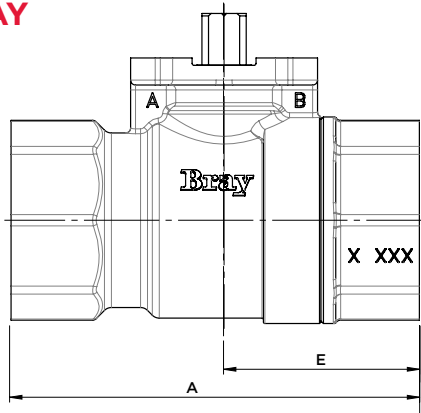
Characterized Ball Valves 2-Way & 3-Way – 1/2" - 2"

Technical Specifications - EBV Valve Body			
Service	Hot Water, Chilled Water, Condenser Water up to 60% Glycol 15 psig (103 kPa) Saturated Steam @ 250°F for HVAC Systems		
Size Range	2-Way & 3-Way - 1/2" through 2" (DN 15 to 50)		
Valve Body Pressure/ Temperature Rating	Cold Working Pressure	580 psi (PN 40)	
	Water (with Standard Mounting)	-20°F to 203°F @ 580 psi (-29°C to 95°C)	
	Water (with "High Temp" Mounting)	-20°F to 284°F @ 464 psi (-29°C to 140°C)	
	Saturated Steam (with "High Temp" Mounting)	15 psig (103 kPa) at 250°F (121°C)	
Maximum Recommended Operating Pressure Drop	50 psid Maximum Differential Pressure for Valves with Characterized Flow Control Disk and 30 psid Maximum for Quiet Service Ball Valves		
Flow Characteristics	2-Way	Equal Percentage	
	3-Way	Equal Percentage Port A, Linear Port B (Bypass)	
Rangeability	Greater than 500:1 (No disc)		
Ambient Conditions	See Actuator Specifications		
Close-Off	200 psi		
Leakage	Control Port - ANSI/FCI 70-2 Class VI Bypass Port < 1% of Maximum Flow		
End Connections	NPT Threaded, Sweat & Press, BSPP		
Materials	Body	Forged Brass	
	Ball	300 Series Stainless Steel	
	Stem		
	Seats	RPTFE - 15% Graphite Reinforced with EPDM O-Ring Backup	
	Stem Seals	EPDM Double O-Rings	
	Characterizing Disk	AMODEL® AS-1145HS Polyphthalamide Resin	
Weights (NPT) (Valve Body Only)	Size	2-Way	3-Way
	1/2"	0.71 lb. (0.32 kg)	0.79 lb. (0.36 kg)
	3/4"	0.75 lb. (0.34 kg)	0.93 lb. (0.42 kg)
	1"	1.30 lb. (0.59 kg)	1.59 lb. (0.72 kg)
	1-1/4"	2.05 lb. (0.93 kg)	2.56 lb. (1.16 kg)
	1-1/2"	2.73 lb. (1.24 kg)	3.37 lb. (1.53 kg)
	2"	4.61 lb. (2.09 kg)	5.80 lb. (2.63 kg)
Compliance CRN	OC25972		
Warranty	5 Years limited from time of shipment.		

Disclaimer - The performance specifications are nominal and conform to acceptable industry standards. For application at conditions beyond these specifications consult the local Bray office. Bray, Inc. shall not be liable for damages resulting from misapplication or misuse of its products.

EBV Series Ball Valves - Valve Body Dimensions

2-WAY

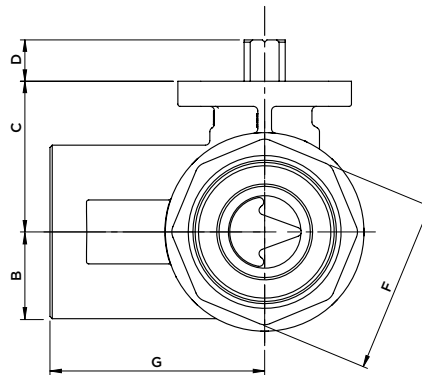
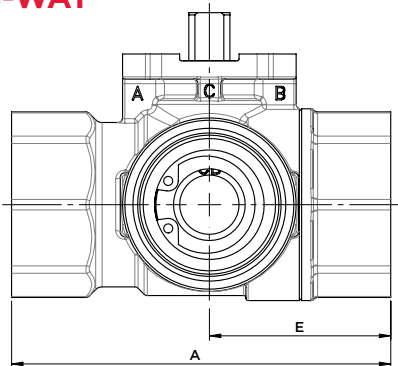


2-WAY - VALVE BODY DIMENSIONS in. (mm)

EBV Valve Model # Prefix	Size		Flow Coefficient		A (NPT)	A (SWEAT/PRESS)	B	C	D	E	F	Weights - lbs. (kg)	
	in.	mm	Cv	Kv								NPT	SWEAT/PRESS
EBV-05-2-x	1/2	15	0.3-17.2	0.3-14.9	2.60 (66)	4.60 (117)	0.59 (15)	1.14 (29)	0.35 (9)	1.22 (31)	1.00 (25)	0.71 (0.32)	0.93 (0.42)
EBV-75-2-x	3/4	20	4.9-15.3	4.2-13.2	2.28 (68)	4.74 (120.5)	0.59 (15)	1.14 (29)	0.35 (9)	1.30 (33)	1.22 (31)	0.75 (0.34)	1.15 (0.52)
EBV-1-2-x	1	25	7.8-29.9	6.7-25.9	3.27 (83)	5.45 (138.5)	0.79 (20)	1.30 (33)	0.36 (9.1)	1.56 (39.7)	1.50 (38)	1.30 (0.59)	1.76 (0.80)
EBV-125-2-x	1-1/4	32	11.7-44.8	10.1-38.8	3.66 (93)	-	0.98 (25)	1.59 (40.5)	0.36 (9.15)	1.79 (45.5)	1.89 (48)	2.05 (0.93)	-
EBV-150-2-x	1-1/2	40	19.6-48.3	17.0-41.8	3.94 (100)	-	1.06 (27)	1.67 (42.5)	0.36 (9.15)	1.93 (49)	2.13 (54)	2.73 (1.24)	-
EBV-2-2-x	2	50	29.2-95.5	25.3-82.6	4.61 (117)	-	1.46 (37)	1.93 (49)	0.35 (9)	2.24 (57)	2.68 (68)	4.61 (2.09)	-

x = Cv

3-WAY



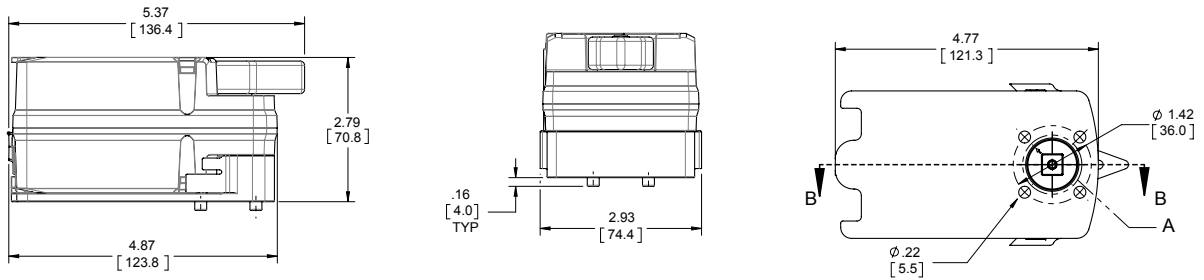
3-WAY - VALVE BODY DIMENSIONS in. (mm)

EBV Valve Model # Prefix	Size		Flow Coefficient		A (NPT)	A (SWEAT/PRESS)	B	C	D	E	F	G (NPT)	G (SWEAT/PRESS)	Weights - lbs. (kg)	
	in.	mm	Cv	Kv										NPT	SWEAT/PRESS
EBV-05-3-x	1/2	15	0.3-17.2	0.3-14.9	2.60 (66)	4.60 (117)	0.59 (15)	1.14 (29)	0.35 (9)	1.22 (31)	1.00 (25)	1.46 (37)	1.93 (49)	0.79 (0.36)	1.12 (0.51)
EBV-75-3-x	3/4	20	4.9-15.3	4.2-13.2	2.28 (68)	4.74 (120.5)	0.59 (15)	1.14 (29)	0.35 (9)	1.30 (33)	1.22 (31)	1.50 (38)	1.93 (49)	0.93 (0.42)	1.59 (0.72)
EBV-1-3-x	1	25	7.8-29.9	6.7-25.9	3.27 (83)	5.45 (138.5)	0.79 (20)	1.30 (33)	0.36 (9.1)	1.56 (39.7)	1.50 (38)	1.85 (47)	2.15 (54.7)	1.59 (0.72)	2.47 (1.12)
EBV-125-3-x	1-1/4	32	11.7-44.8	10.1-38.8	3.66 (93)	-	0.98 (25)	1.59 (40.5)	0.36 (9.15)	1.79 (45.5)	1.89 (48)	2.07 (52.5)	-	2.56 (1.16)	-
EBV-150-3-x	1-1/2	40	19.6-48.3	17.0-41.8	3.94 (100)	-	1.06 (27)	1.67 (42.5)	0.36 (9.15)	1.93 (49)	2.13 (54)	2.19 (55.5)	-	3.37 (1.53)	-
EBV-2-3-x	2	50	29.2-95.5	25.3-82.6	4.61 (117)	-	1.46 (37)	1.93 (49)	0.35 (9)	2.24 (57)	2.68 (68)	2.56 (65)	-	5.80 (2.63)	-

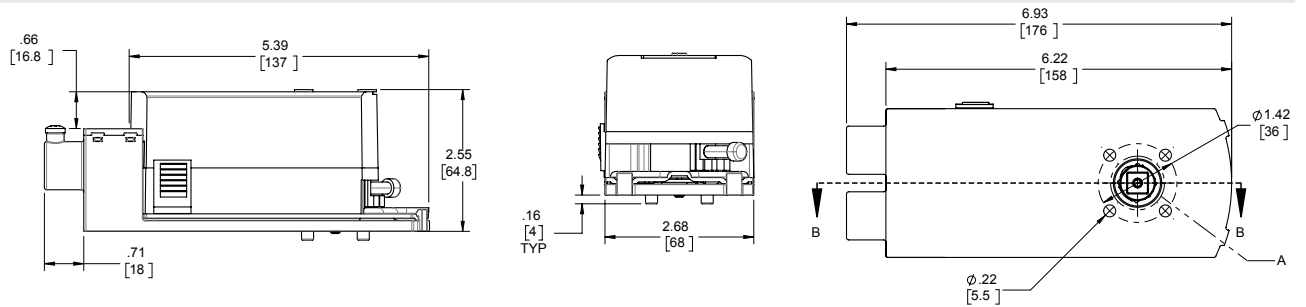
x = Cv

EBV Series Ball Valves - Actuator Dimensions

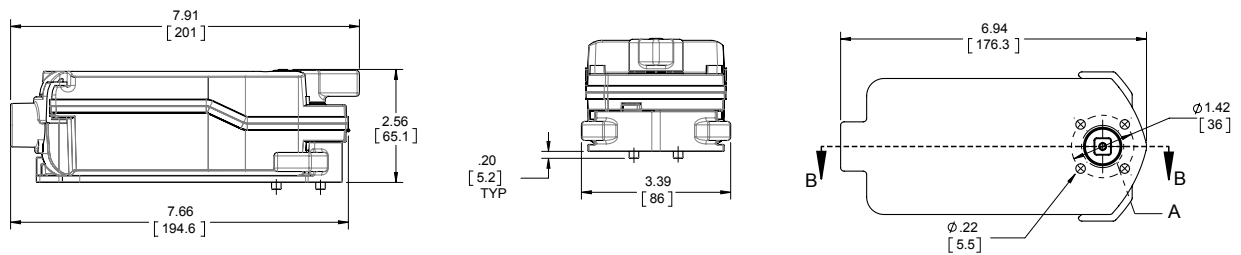
DCS(M)-20 Series



DC(M)-44 Series



DCS(M)-62 Series



Optional High Temperature Barrier

